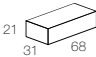

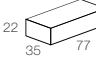



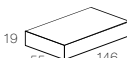

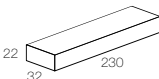

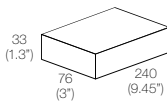


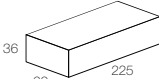

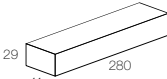

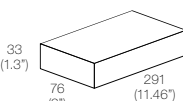


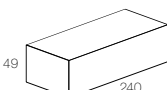



Alimentatori 24Vdc IP20

24Vdc LED driver IP20

■ NON DIMMERABILI NOT DIMMABLE

IP20	CODE	MAX LED	Vin	DIMENSIONS (mm)	CUT-OUT	CERTIFICATIONS
CV6-F-24-NI		6W - 0,25A max	220-240 Vac		 Ø 36	
		3W - 0,12A max	100-120 Vac			
CV8-F-24-N		8W - 0,35A max	220-240 Vac		 Ø 42	  ERC
		8W - 0,35A max	100-120 Vac			
CV20-F-24-N		21W - 1,04A max	220-240 Vac		 Ø 60	ERC
		8,5W - 0,42A max	100-120 Vac			
CV35-F-24-NI		32W - 1,5A max	220-240 Vac		 Ø 39	
CV60-F-24-NE*		52W - 2,5A max	100-120 Vac		 Ø 84 (3.3")	
CV70-F-24-N		63W - 2,9A max	220-240 Vac		 Ø 70	ERC
CV75-F-24-NI		70W - 3,125A max	220-240 Vac		 Ø 49	
		35W - 1,5A max	100-120 Vac			
CV100-F-24-NE*		83W - 4A max	100-120 Vac		 Ø 84 (3.3")	
CV150-F-24-N		140W - 6,25A max	220-240 Vac		 Ø 80	ERC


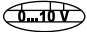

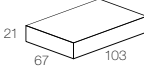





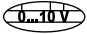

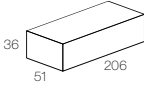

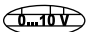
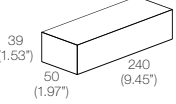





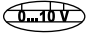






*Non adatto al mercato UE, solo per utilizzo negli USA
Not suitable for the UE market, only for USA installation

Alimentatori 24 Vdc IP20

24 Vdc LED driver IP20




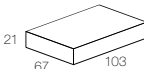





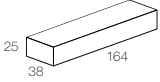


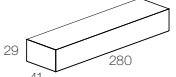


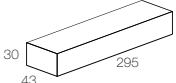


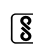



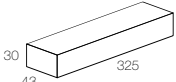





DIMMERABILI - MULTIFUNZIONE - PUSH - 1-10

DIMMABLE - MULTIFUNCTION - PUSH - 1-10

 IP20	CODE	MAX LED	Vin	DIMENSIONS (mm)	CUT-OUT	CERTIFICATIONS
 	CV20-M-24-N	18W - 0,83A max	220-240 Vac	 21 67 103	 Ø 72	   
		13W - 0,62A max	100-120 Vac			
 	CV50-M-24-NQ	55W - 2,5A max	220-240 Vac	 36 51 206	 Ø 60	
		37W - 1,66A max	100-120 Vac			
	CV60-M-24-NE*	52W - 2,5A max	100-120 Vac	 39 (1.53") 50 (1.97") 240 (9.45")	 Ø 84 (3.3")	   
	CV100-M-24-NE*	83W - 4A max	100-120 Vac	 33 (1.3") 76 (3") 291 (11.46")	 Ø 84 (3.3")	   

DIMMERABILI - DALI

DIMMABLE - DALI

 IP20	CODE	MAX LED	Vin	DIMENSIONS (mm)	CUT-OUT	CERTIFICATIONS
 	CV20-D-24-N	18W - 0,83A max	220-240 Vac	 21 67 103	 Ø 72	  
		13W - 0,62A max	100-120 Vac			
	CV25-D-24-NI	22W - 1A max	220-240 Vac	 25 38 164	 Ø 44	
	CV75-D-24-NI	67W - 3,125A max	220-240 Vac	 29 41 280	 Ø 49	
	CV100-D-24-NT	93W - 4,167A max	220-240 Vac	 30 43 295	 Ø 54	   
	CV150-D-24-NT	112W - 6,25A max	220-240 Vac	 30 43 325	 Ø 54	   

POTENZIOMETRO
POTENTIOMETER

CODE
POT-M-REG-N





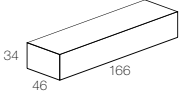






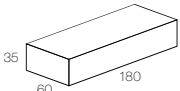

*Non adatto al mercato UE, solo per utilizzo negli USA
Not suitable for the UE market, only for USA installation

Alimentatori 24 Vdc IP20

24 Vdc LED driver IP20



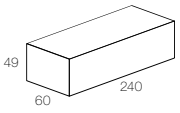


DIMMERABILI - TAGLIO DI FASE (IGBT - TRIAC)

DIMMABLE - PHASE CUT (IGBT - TRIAC)

IP20	CODE	MAX LED	Vin	DIMENSIONS (mm)	CUT-OUT	CERTIFICATIONS
 	CV20-C-24-N	18W - 0,9A max	220-240 Vac		 Ø 56	   EAC
  <small>DMX-TO-WARM</small>	CV45-C-24-N	37W - 1,87A max	220-240 Vac		 Ø 80	EAC


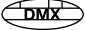
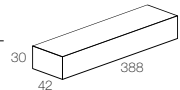




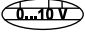

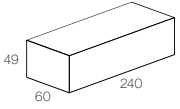


DIMMERABILI - CASAMBI INTEGRATO

DIMMABLE - CASAMBI INTEGRATED

IP20	CODE	MAX LED	Vin	DIMENSIONS (mm)	CUT-OUT	CERTIFICATIONS
 	CV120-B-24-N	110W - 5A max	220-240 Vac		 Ø 80	 EAC

DIMMERABILI - DMX-DALI

DIMMABLE - DMX-DALI

IP20	CODE	MAX LED	Vin	DIMENSIONS (mm)	CUT-OUT	CERTIFICATIONS
 	CV100-L-24-NL	94W - 1A (x4ch) max	220-240 Vac		 Ø 57	  
		94W - 1A (x4ch) max	100-120 Vac			
 	CV120-Y-24-N	115W - 5A max (100 su 1ch)	220-240 Vac		 Ø 80	 EAC

POTENZIOMETRO
POTENTIOMETER

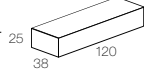

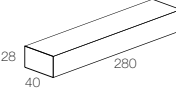

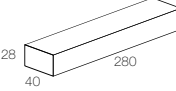

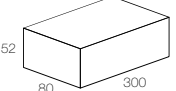



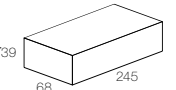


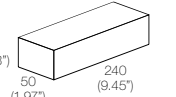
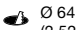

CODE
POT-M-REG-N



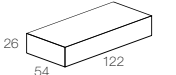


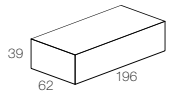


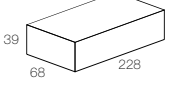


Alimentatori 24Vdc IP67

24Vdc LED driver IP67

■ NON DIMMERABILI NOT DIMMABLE

IP67	CODE	MAX LED	Vin	DIMENSIONS (mm)	CUT-OUT	CERTIFICATIONS
IP67	CV30-F-24-PI	26W - 1,5A max	220-240 Vac	 25 38 120	 Ø 44	
		13W - 0,6A max	100-120 Vac			
	CV75-F-24-PI	72W - 3,125A max	220-240 Vac	 28 40 280	 Ø 48	
	CV150-F-24-PI	140W - 6,250A max	220-240 Vac	 28 40 280	 Ø 48	
	CV70-F-24-P	63W - 2,90A max	220-240 Vac	 52 80 300	 Ø 85	ERAC
	CV150-F-24-P	140W - 6,25A max	220-240 Vac	 52 80 300	 Ø 85	ERAC
	CV240-F-24-PM	215W - 10A max	220-240 Vac	 39 68 245	 Ø 79	
		215W - 10A max	100-120 Vac			
IP66	CV260-F-24-PW*	235W - 10,83A max	100-120 Vac	 39 (1.53") 50 (1.97") 240 (9.45")	 Ø 64 (2.52")	

■ DIMMERABILI - MULTIFUNZIONE - PUSH - 1-10 DIMMABLE - MULTIFUNCTION - PUSH - 1-10

IP67	CODE	MAX LED	Vin	DIMENSIONS (mm)	CUT-OUT	CERTIFICATIONS
IP67	CV20-M-24-P	15W - 0,7A max	220-240 Vac	 26 54 122	 Ø 60	
		13W - 0,6A max	100-120 Vac			
IP67	CV80-R-24-PM	72W - 3,4A max	220-240 Vac	 39 62 196	 Ø 74	
		72W - 3,4A max	100-120 Vac			
IP67	CV185-R-24-PM	165W - 7,8A max	220-240 Vac	 39 68 228	 Ø 79	
		165W - 7,8A max	100-120 Vac			

POTENZIOMETRO
POTENTIOMETER


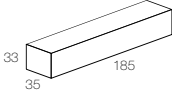


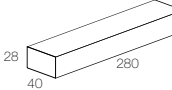

CODE
POT-M-REG-N



*Non adatto al mercato UE, solo per utilizzo negli USA
Not suitable for the UE market, only for USA installation



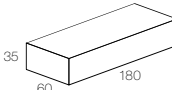


DIMMERABILI - DALI

DIMMABLE - DALI

IP67	CODE	MAX LED	Vin	DIMENSIONS (mm)	CUT-OUT	CERTIFICATIONS
	CV25-D-24-PI	23W - 1A max	220-240 Vac		 Ø 48	
	CV75-D-24-PI	70W - 3,125A max	220-240 Vac		 Ø 48	

DIMMERABILI - TAGLIO DI FASE (IGBT - TRIAC)

DIMMABLE - PHASE CUT (IGBT - TRIAC)

IP66	CODE	MAX LED	Vin	DIMENSIONS (mm)	CUT-OUT	CERTIFICATIONS
  <small>DIM-TO-WARM</small>	CV80-C-24-P	66W - 3,33A max	220-240 Vac		 Ø 85	

POTENZIOMETRO
POTENTIOMETER

CODE
POT-M-REG-N

