

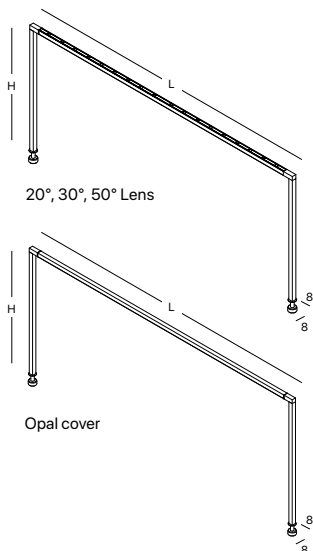


EXAMPLE CODE COMPOSITION ON PHOTO

SQ1P1-037.4D
A00841.40

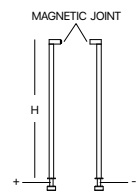
Astine con attacco magnetico necessarie per l'installazione del prodotto.
Poles with magnetic joint are required to install the product.

-  IP40
-  Class III



SINFONIA

A00839_0	Astina con attacco magnetico (kit 2 pezzi) H 18 cm Pole with magnetic joint (2 pieces kit) H 18 cm
A00840_0	Astina con attacco magnetico (kit 2 pezzi) H 23 cm Pole with magnetic joint (2 pieces kit) H 23 cm
A00841_0	Astina con attacco magnetico (kit 2 pezzi) H 28 cm Pole with magnetic joint (2 pieces kit) H 28 cm
A00842_0	Astina con attacco magnetico (kit 2 pezzi) H 33 cm Pole with magnetic joint (2 pieces kit) H 33 cm



EXAMPLE CODE COMPOSITION 1234-
Length in cm 