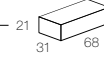

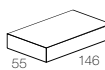

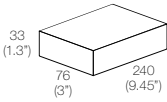


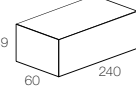





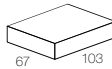




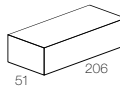


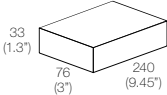


Alimentatori 12Vdc IP20

12Vdc LED drivers IP20


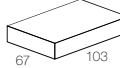



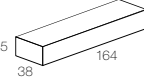



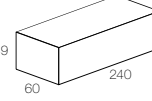


■ NON DIMMERABILI NOT DIMMABLE

| IP20 | CODE | MAX LED | V _{in} | DIMENSIONS (mm) | CUT-OUT | CERTIFICATIONS |
|------|---------------|-----------------|-----------------|--|--|---|
| | CV6-F-12-NI | 6W - 0,5A max | 220-240 Vac |  21 31 68 |  Ø 36 | |
| | | 3W - 0,25A max | 100-120 Vac | | | |
| | CV20-F-12-N | 21W - 2,08A max | 220-240 Vac |  19 55 146 |  Ø 60 | EAC |
| | | 10W - 0,83A max | 100-120 Vac | | | |
| | CV60-F-12-NE* | 51W - 5A max | 100-120 Vac |  33 (1.3") 76 (3") 240 (9.45") |  Ø 84 (3.3") |  |
| | CV70-F-12-N | 62W - 5,8A max | 220-240 Vac |  49 60 240 |  Ø 80 | EAC |

■ DIMMERABILI - MULTIFUNZIONE - PUSH - 1-10 DIMMABLE - MULTIFUNCTION - PUSH - 1-10

| IP20 | CODE | MAX LED | V _{in} | DIMENSIONS (mm) | CUT-OUT | CERTIFICATIONS |
|--|---------------|----------------|-----------------|--|--|---|
|   | CV20-M-12-N | 10W - 0,9A max | 220-240 Vac |  21 67 103 |  Ø 72 |  |
| | | 10W - 0,9A max | 100-120 Vac | | | |
|   | CV45-M-12-NQ | 42W - 3,3A max | 220-240 Vac |  36 51 206 |  Ø 60 | |
| | | 33W - 2,9A max | 100-120 Vac | | | |
|  | CV60-M-12-NE* | 51W - 5A max | 100-120 Vac |  33 (1.3") 76 (3") 240 (9.45") |  Ø 84 (3.3") |  |

■ DIMMERABILI - DALI DIMMABLE - DALI

| IP20 | CODE | MAX LED | V _{in} | DIMENSIONS (mm) | CUT-OUT | CERTIFICATIONS |
|--|---------------|-------------------------------|-----------------|--|---|---|
|  | CV20-D-12-N | 10W - 0,9A max | 220-240 Vac |  21 67 103 |  Ø 72 |  |
| | | 10W - 0,9A max | 100-120 Vac | | | |
|  | CV25-D-12-NI | 22W - 2A max | 220-240 Vac |  25 38 164 |  Ø 44 | |
|   | CV80-D-12-N** | 78W - 6,7A max (50 su 1ch) | 100-120 Vac |  49 60 240 |  Ø 80 |  |

POTENZIOMETRO
POTENTIOMETER

CODE
POT-M-REG-N


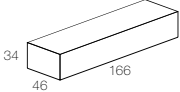






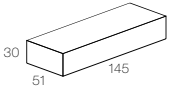





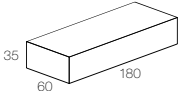




*Non adatto al mercato UE, solo per utilizzo negli USA
Not suitable for the UE market, only for USA installation

**Disponibile da gennaio 2022
Available starting from January 2022







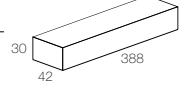




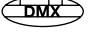
DIMMERABILI - TAGLIO DI FASE (IGBT - TRIAC)

DIMMABLE - PHASE CUT (IGBT - TRIAC)

| IP20 | CODE | MAX LED | Vin | DIMENSIONS (mm) | CUT-OUT | CERTIFICATIONS |
|---|--------------|-----------------|-------------|---|--|---|
|  | CV20-C-12-N | 10W - 0,9A max | 220-240 Vac |  |  Ø 56 |    EAC |
|   | CV25-C-12-NT | 24W - 2,1A max | 220-240 Vac |  |  Ø 60 |  EAC |
|    | CV45-C-12-N | 37W - 3,75A max | 220-240 Vac |  |  Ø 80 | EAC  |

DIMMERABILI - RGBW DYNAMIC WHITE

DIMMABLE - RGBW DYNAMIC WHITE

| IP20 | CODE | MAX LED | Vin | DIMENSIONS (mm) | CUT-OUT | CERTIFICATIONS |
|--|---------------|-------------------------------|-------------|---|--|---|
|  | CV80-Y-12-N | 78W - 6,7A max (50 su 1ch) | 220-240 Vac |  |  Ø 80 |  EAC |
|   | CV100-L-12-NL | 94W - 2A (x4ch) max | 220-240 Vac |  |  Ø 57 |   |
|   | | 94W - 2A (x4ch) max | 100-120 Vac | | | |

POTENZIOMETRO
POTENTIOMETER



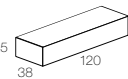

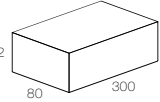

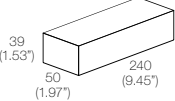

CODE
POT-M-REG-N



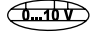

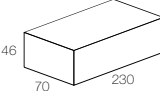


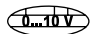

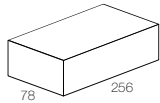


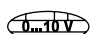
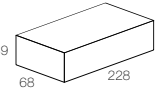


Alimentatori 12Vdc IP67

12Vdc LED driver IP67


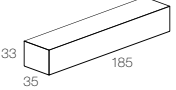


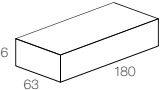




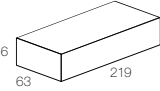



NON DIMMERABILI NOT DIMMABLE

| IP67 | CODE | MAX LED | Vin | DIMENSIONS (mm) | CUT-OUT | CERTIFICATIONS |
|------|----------------|------------------|-------------|---|---|----------------------|
| | CV14-F-12-PI | 12W - 1,2A max | 220-240 Vac |  |  Ø 42 | |
| | CV30-F-12-PI | 26W - 2A max | 220-240 Vac |  |  Ø 44 | |
| | | 13W - 1A max | 100-120 Vac | | | |
| | CV70-F-12-P | 62W - 5,8A max | 220-240 Vac |  |  Ø 85 | ERAC |
| IP66 | CV260-F-12-PW* | 235W - 21,6A max | 100-120 Vac |  |  Ø 64 (2.52") | UL US LISTED CLASS P |



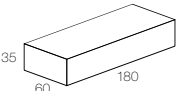

DIMMERABILI - MULTIFUNZIONE - PUSH - 1-10 DIMMABLE - MULTIFUNCTION - PUSH - 1-10

| IP66 | CODE | MAX LED | Vin | DIMENSIONS (mm) | CUT-OUT | CERTIFICATIONS |
|--|---------------|------------------|-------------|---|---|--|
|   | CV100-M-12-P | 85W - 8,3A max | 220-240 Vac |  |  Ø 85 | ERAC  |
|   | CV150-M-12-P | 130W - 12,5A max | 220-240 Vac |  |  Ø 95 | ERAC  |
| IP67  | CV185-R-12-PM | 135W - 13A max | 220-240 Vac |  |  Ø 79 | CCC  |
| | | 135W - 13A max | 100-120 Vac | | | |

DIMMERABILI - DALI DIMMABLE - DALI

| IP67 | CODE | MAX LED | Vin | DIMENSIONS (mm) | CUT-OUT | CERTIFICATIONS |
|---|---------------|----------------|-------------|---|---|--|
|  | CV25-D-12-PI | 23W - 2A max | 220-240 Vac |  |  Ø 48 | |
|  | CV75-D-12-PM | 60W - 5A max | 220-240 Vac |  |  Ø 73 |  CCC ERAC  |
| | | 48W - 4A max | 100-120 Vac | | | |
|  | CV150-D-12-PM | 120W - 10A max | 220-240 Vac |  |  Ø 73 |  CCC ERAC  |
| | | 84W - 7A max | 100-120 Vac | | | |

DIMMERABILI - TAGLIO DI FASE (IGBT - TRIAC) DIMMABLE - PHASE CUT (IGBT - TRIAC)

| IP66 | CODE | MAX LED | Vin | DIMENSIONS (mm) | CUT-OUT | CERTIFICATIONS |
|--|-------------|-----------------|-------------|---|---|----------------|
|   | CV80-C-12-P | 67W - 6,66A max | 220-240 Vac |  |  Ø 85 | ERAC |