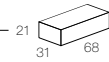

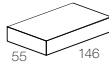

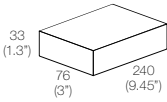


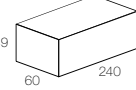



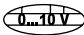

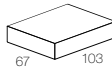




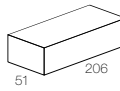


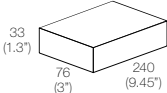


Alimentatori 12Vdc IP20

12Vdc LED drivers IP20


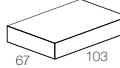



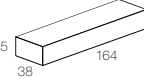



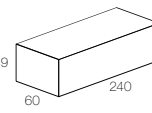


■ NON DIMMERABILI NOT DIMMABLE

IP20	CODE	MAX LED	V _{in}	DIMENSIONS (mm)	CUT-OUT	CERTIFICATIONS
	CV6-F-12-NI	6W - 0,5A max	220-240 Vac	 21 31 68	 Ø 36	
		3W - 0,25A max	100-120 Vac			
	CV20-F-12-N	21W - 2,08A max	220-240 Vac	 19 55 146	 Ø 60	EAC
		10W - 0,83A max	100-120 Vac			
	CV60-F-12-NE*	51W - 5A max	100-120 Vac	 33 (1.3") 76 (3") 240 (9.45")	 Ø 84 (3.3")	
	CV70-F-12-N	62W - 5,8A max	220-240 Vac	 49 60 240	 Ø 80	EAC

■ DIMMERABILI - MULTIFUNZIONE - PUSH - 1-10 DIMMABLE - MULTIFUNCTION - PUSH - 1-10

IP20	CODE	MAX LED	V _{in}	DIMENSIONS (mm)	CUT-OUT	CERTIFICATIONS
 	CV20-M-12-N	10W - 0,9A max	220-240 Vac	 21 67 103	 Ø 72	
		10W - 0,9A max	100-120 Vac			
 	CV45-M-12-NQ	42W - 3,3A max	220-240 Vac	 36 51 206	 Ø 60	
		33W - 2,9A max	100-120 Vac			
	CV60-M-12-NE*	51W - 5A max	100-120 Vac	 33 (1.3") 76 (3") 240 (9.45")	 Ø 84 (3.3")	

■ DIMMERABILI - DALI DIMMABLE - DALI

IP20	CODE	MAX LED	V _{in}	DIMENSIONS (mm)	CUT-OUT	CERTIFICATIONS
	CV20-D-12-N	10W - 0,9A max	220-240 Vac	 21 67 103	 Ø 72	
		10W - 0,9A max	100-120 Vac			
	CV25-D-12-NI	22W - 2A max	220-240 Vac	 25 38 164	 Ø 44	
 	CV80-D-12-N**	78W - 6,7A max (50 su 1ch)	100-120 Vac	 49 60 240	 Ø 80	

POTENZIOMETRO
POTENTIOMETER

CODE
POT-M-REG-N


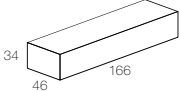






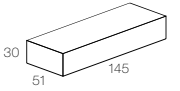





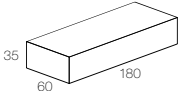




*Non adatto al mercato UE, solo per utilizzo negli USA
Not suitable for the UE market, only for USA installation

**Disponibile da gennaio 2022
Available starting from January 2022







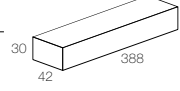




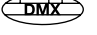
DIMMERABILI - TAGLIO DI FASE (IGBT - TRIAC)

DIMMABLE - PHASE CUT (IGBT - TRIAC)

IP20	CODE	MAX LED	Vin	DIMENSIONS (mm)	CUT-OUT	CERTIFICATIONS
	CV20-C-12-N	10W - 0,9A max	220-240 Vac		 Ø 56	   EAC
 	CV25-C-12-NT	24W - 2,1A max	220-240 Vac		 Ø 60	 EAC
  	CV45-C-12-N	37W - 3,75A max	220-240 Vac		 Ø 80	EAC 

DIMMERABILI - RGBW DYNAMIC WHITE

DIMMABLE - RGBW DYNAMIC WHITE

IP20	CODE	MAX LED	Vin	DIMENSIONS (mm)	CUT-OUT	CERTIFICATIONS
	CV80-Y-12-N	78W - 6,7A max (50 su 1ch)	220-240 Vac		 Ø 80	 EAC
 	CV100-L-12-NL	94W - 2A (x4ch) max	220-240 Vac		 Ø 57	 
 		94W - 2A (x4ch) max	100-120 Vac			

POTENZIOMETRO
POTENTIOMETER



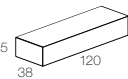

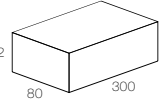

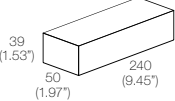

CODE
POT-M-REG-N





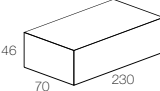


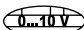

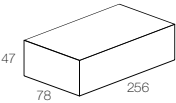


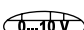
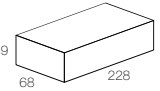


Alimentatori 12Vdc IP67

12Vdc LED driver IP67


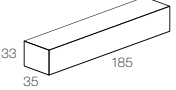


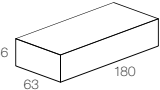




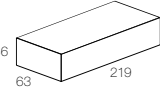



■ NON DIMMERABILI NOT DIMMABLE

IP67	CODE	MAX LED	Vin	DIMENSIONS (mm)	CUT-OUT	CERTIFICATIONS
	CV14-F-12-PI	12W - 1,2A max	220-240 Vac		 Ø 42	
	CV30-F-12-PI	26W - 2A max	220-240 Vac		 Ø 44	
		13W - 1A max	100-120 Vac			
	CV70-F-12-P	62W - 5,8A max	220-240 Vac		 Ø 85	ERAC
IP66	CV260-F-12-PW*	235W - 21,6A max	100-120 Vac		 Ø 64 (2.52")	CUL US LISTED CLASS P



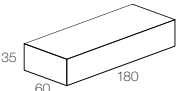

■ DIMMERABILI - MULTIFUNZIONE - PUSH - 1-10 DIMMABLE - MULTIFUNCTION - PUSH - 1-10

IP66	CODE	MAX LED	Vin	DIMENSIONS (mm)	CUT-OUT	CERTIFICATIONS
 	CV100-M-12-P	85W - 8,3A max	220-240 Vac		 Ø 85	ERAC 
 	CV150-M-12-P	130W - 12,5A max	220-240 Vac		 Ø 95	ERAC 
IP67 	CV185-R-12-PM	135W - 13A max	220-240 Vac		 Ø 79	CCC 
		135W - 13A max	100-120 Vac			

■ DIMMERABILI - DALI DIMMABLE - DALI

IP67	CODE	MAX LED	Vin	DIMENSIONS (mm)	CUT-OUT	CERTIFICATIONS
	CV25-D-12-PI	23W - 2A max	220-240 Vac		 Ø 48	
	CV75-D-12-PM	60W - 5A max	220-240 Vac		 Ø 73	 CCC ERAC 
		48W - 4A max	100-120 Vac			
	CV150-D-12-PM	120W - 10A max	220-240 Vac		 Ø 73	 CCC ERAC 
		84W - 7A max	100-120 Vac			

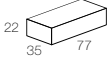



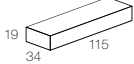










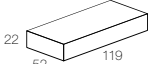



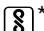












■ DIMMERABILI - TAGLIO DI FASE (IGBT - TRIAC) DIMMABLE - PHASE CUT (IGBT - TRIAC)

IP66	CODE	MAX LED	Vin	DIMENSIONS (mm)	CUT-OUT	CERTIFICATIONS
 	CV80-C-12-P	67W - 6,66A max	220-240 Vac		 Ø 85	ERAC

Alimentatori 350mA IP20

350mA LED driver IP20

■ NON DIMMERABILI NOT DIMMABLE

IP20	CODE	MIN - MAX LED	Vin	DIMENSIONS (mm)	CUT-OUT	CERTIFICATIONS
IP20	CC6-F-350-N	1 - 6 LED 1W 1 LED 4W 1 LED ZOOM	@230Vac		 Ø 42	  * EAC
		1 - 6 LED 1W 1 LED 4W 1 LED ZOOM	@110Vac			
IP20	CC14-F-350N	1 - 13 LED 1W 1 - 4 LED 4W 1 - 3 LED ZOOM 1 LED 12W	@230Vac		 Ø 40	    *
		1 - 9 LED 1W 1 - 2 LED 4W 1 - 2 LED ZOOM	@110Vac			
IP20	CC15-F-350-S	1 - 13 LED 1W 1 - 3 LED 4W 1 - 3 LED ZOOM 1 LED 12W	@230Vac		 Ø 32	   * EAC
		1 - 5 LED 1W 1 LED 4W 1 LED ZOOM	@110Vac			
IP20	CC20-F-350-N	1 - 16 LED 1W 1 - 5 LED 4W 1 - 4 LED ZOOM 1 LED 12W	@230Vac		 Ø 55	   * EAC
IP20	CC25-F-350-NT	7 - 16 LED 1W 3 - 5 LED 4W 2 - 4 LED ZOOM 1 LED 12W	@230Vac		 Ø 53	  EAC 
IP20	CC50-F-350-N	10 - 23 LED 1W 1 - 8 LED 4W 1 - 6 LED ZOOM 1 - 2 LED 12W	@230Vac		 Ø 84	    * EAC 
		10 - 23 LED 1W 1 - 8 LED 4W 1 - 6 LED ZOOM 1 - 2 LED 12W	@110Vac			

DIMMERABILI - MULTIFUNZIONE - PUSH - 1-10

DIMMABLE - MULTIFUNCTION - PUSH - 1-10

IP20	CODE	MIN - MAX LED	Vin	DIMENSIONS (mm)	CUT-OUT	CERTIFICATIONS
	CC20-M-350-N	1 - 14 LED 1W 1 - 4 LED 4W 1 - 3 LED ZOOM 1 LED 12W	@230Vac	 22 52 119	Ø 55	
		1 - 14 LED 1W 1 - 4 LED 4W 1 - 3 LED ZOOM 1 LED 12W	@110Vac			
	CC30-M-350-NL	1 - 18 LED 1W 1 - 6 LED 4W 1 - 4 LED ZOOM 1 LED 12W	@230Vac	 34 40 210	Ø 54	
		1 - 18 LED 1W 1 - 6 LED 4W 1 - 4 LED ZOOM 1 LED 12W	@110Vac			
	CC32-M-350-N	4 - 17 LED 1W 2 - 5 LED 4W 1 - 4 LED ZOOM 1 LED 12W	@230Vac	 21 67 103	Ø 72	
		4 - 14 LED 1W 2 - 3 LED 4W 1 - 3 LED ZOOM 1 LED 12W	@110Vac			
	CC40-M-350-NR	4 - 18 LED 1W 2 - 6 LED 4W 1 - 4 LED ZOOM 1 LED 12W	@230Vac	 24 60 126	Ø 64	
		4 - 18 LED 1W 2 - 6 LED 4W 1 - 4 LED ZOOM 1 LED 12W	@110Vac			
	CC50-M-350-N	10 - 23 LED 1W 1 - 8 LED 4W 1 - 6 LED ZOOM 1 - 2 LED 12W	@230Vac	 22 79 124	Ø 84	
		10 - 23 LED 1W 1 - 8 LED 4W 1 - 6 LED ZOOM 1 - 2 LED 12W	@110Vac			
	CC20-A-350-N	5 - 16 LED 1W 2 - 4 LED 4W 2 - 4 LED ZOOM 1 LED 12W (DimToWarm)	@230Vac	 22 52 119	Ø 72	
		5 - 15 LED 1W 2 - 3 LED 4W 2 - 3 LED ZOOM 1 LED 12W (DimToWarm)	@110Vac			
	CC50-A-350-N	10 - 23 LED 1W 1 - 8 LED 4W 1 - 6 LED ZOOM 1 - 2 LED 12W (DimToWarm)	@230Vac	 22 79 124	Ø 84	
		10 - 23 LED 1W 1 - 8 LED 4W 1 - 6 LED ZOOM 1 - 2 LED 12W (DimToWarm)	@110Vac			

POTENZIOMETRO
POTENTIOMETER

CODE
POT-M-REG-N





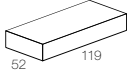






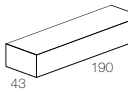



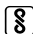



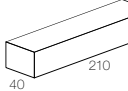


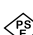

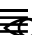


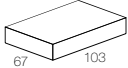
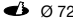







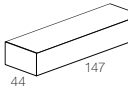


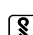

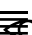




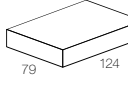







*Disponibile su richiesta
Available upon request

Alimentatori 350mA IP20

350mA LED driver IP20



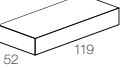







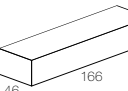





DIMMERABILI - DALI

DIMMABLE - DALI

IP20	CODE	MIN - MAX LED	Vin	DIMENSIONS (mm)	CUT-OUT	CERTIFICATIONS
 	CC20-D-350-N	4 - 14 LED 1W 1 - 4 LED 4W 1 - 3 LED ZOOM 1 LED 12W	@230Vac	 22 52 119	 Ø 55	   
		4 - 14 LED 1W 1 - 4 LED 4W 1 - 3 LED ZOOM 1 LED 12W	@110Vac			
	CC20-D-350-NT	7 - 16 LED 1W 3 - 5 LED 4W 2 - 4 LED ZOOM 1 LED 12W	@230Vac	 30 43 190	 Ø 62	    
	CC30-D-350-NL	1 - 18 LED 1W 1 - 6 LED 4W 1 - 4 LED ZOOM 1 LED 12W	@230Vac	 34 40 210	 Ø 54	   
		1 - 18 LED 1W 1 - 6 LED 4W 1 - 4 LED ZOOM 1 LED 12W	@110Vac			
 	CC32-D-350-N	2 - 16 LED 1W 1 - 4 LED 4W 1 - 4 LED ZOOM 1 LED 12W	@230Vac	 21 67 103	 Ø 72	   
		2 - 14 LED 1W 1 - 3 LED 4W 1 - 3 LED ZOOM 1 LED 12W	@110Vac			
  	CC38-D-350-N	4 - 18 LED 1W 2 - 5 LED 4W 1 - 4 LED ZOOM 1 LED 12W	@230Vac	 30 44 147	 Ø 54	   
   	CC50-D-350-N	10 - 23 LED 1W 1 - 8 LED 4W 1 - 6 LED ZOOM 1 - 2 LED 12W	@230Vac	 22 79 124	 Ø 84	     
		10 - 23 LED 1W 1 - 8 LED 4W 1 - 6 LED ZOOM 1 - 2 LED 12W	@110Vac			

DIMMERABILI - TAGLIO DI FASE (IGBT - TRIAC)

DIMMABLE - PHASE CUT (IGBT - TRIAC)

IP20	CODE	MIN - MAX LED	Vin	DIMENSIONS (mm)	CUT-OUT	CERTIFICATIONS
 	CC18-C-350-N	9 - 17 LED 1W 3 - 5 LED 4W 2 - 4 LED ZOOM 1 LED 12W	@230Vac	 22 52 119	 Ø 55	   
 	CC32-C-350-N	1 - 15 LED 1W 1 - 5 LED 4W 1 - 3 LED ZOOM 1 LED 12W	@230Vac	 34 46 166	 Ø 56	   

POTENZIOMETRO
POTENTIOMETER




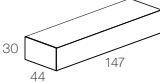



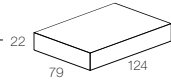









CODE
POT-M-REG-N



*Disponibile su richiesta
Available upon request

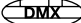

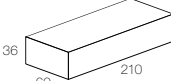



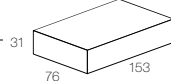

DIMMERABILI - CASAMBI INTEGRATO

DIMMABLE - CASAMBI INTEGRATED

IP20	CODE	MIN - MAX LED	Vin	DIMENSIONS (mm)	CUT-OUT	CERTIFICATIONS
  	CC38-B-350-N	4 - 18 LED 1W 2 - 5 LED 4W 1 - 4 LED ZOOM 1 LED 12W	@230Vac	 30 44 147	 Ø 54	 
	CC60-B-350-N	10 - 23 LED 1W 1 - 8 LED 4W 1 - 6 LED ZOOM 1 - 2 LED 12W	@230Vac	 22 79 124	 Ø 84	    
  	CC60-B-350-N	10 - 23 LED 1W 1 - 8 LED 4W 1 - 6 LED ZOOM 1 - 2 LED 12W	@110Vac			


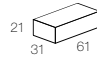



DIMMERABILI - DMX

DIMMABLE - DMX

IP20	CODE	MIN - MAX LED	Vin	DIMENSIONS (mm)	CUT-OUT	CERTIFICATIONS
 	CC36-X-350-N	1 - 30 LED 1W 1 - 9 LED 4W 1 - 9 LED ZOOM 1 - 3 LED 12W 1 - 10 LED 3x1W RGB	@230Vac	 36 60 210	 Ø 70	
		CC50-X-350-NL	1 - 40 LED 1W 1 - 12 LED 4W 1 - 12 LED ZOOM 1 - 4 LED 12W 1 - 16 LED 3x1W RGB	@230Vac	 31 76 153	 Ø 84
CC50-X-350-NL		1 - 40 LED 1W 1 - 4 LED 4W 1 - 4 LED ZOOM 1 LED 12W 1 - 16 LED 3x1W RGB	@110Vac			

NON DIMMERABILI - FISSI - PER BATTERIA

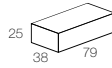

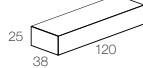

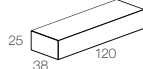

NOT DIMMABLE - FIXED - FOR BATTERY

IP20	CODE	MAX LED	Vin	DIMENSIONS (mm)	CUT-OUT	CERTIFICATIONS
	CC10-F-350-NB	1 - 3 LED 1W 1 LED 4W 1 LED ZOOM	12 Vdc	 21 31 61	 Ø 38	 
		1 - 6 LED 1W 1 - 2 LED 4W 1 LED ZOOM	24 Vdc			
		1 - 12 LED 1W 1 - 4 LED 4W 1 - 3 LED ZOOM	48 Vdc			


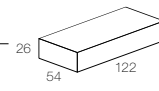


Alimentatori 350mA IP67

350mA LED driver IP67


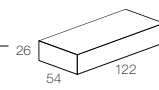





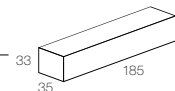

■ NON DIMMERABILI NOT DIMMABLE

IP67	CODE	MIN - MAX LED	Vin	DIMENSIONS (mm)	CUT-OUT	CERTIFICATIONS
	CC14-F-350-PI	1 - 13 LED 1W 1 - 4 LED 4W 1 LED 12W	@230Vac		 Ø 44	
	CC15-F-350-PI	1 - 14 LED 1W 1 - 4 LED 4W 1 LED 12W	@230Vac		 Ø 44	
	CC20-F-350-PI	10 - 18 LED 1W 3 - 5 LED 4W 1 LED 12W	@230Vac		 Ø 44	


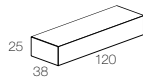


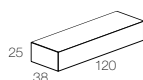

■ DIMMERABILI - MULTIFUNZIONE - PUSH - 1-10 DIMMABLE - MULTIFUNCTION - PUSH - 1-10

IP67	CODE	MIN - MAX LED	Vin	DIMENSIONS (mm)	CUT-OUT	CERTIFICATIONS
	CC16-M-350-P	1 - 15 LED 1W 1 - 4 LED 4W 1 LED 12W	@230Vac		 Ø 60	
		1 - 14 LED 1W 1 - 3 LED 4W 1 LED 12W	@110Vac			

■ DIMMERABILI - DALI DIMMABLE - DALI

IP67	CODE	MIN - MAX LED	Vin	DIMENSIONS (mm)	CUT-OUT	CERTIFICATIONS
	CC20-D-350-P	1 - 16 LED 1W 1 - 5 LED 4W 1 LED 12W	@230Vac		 Ø 60	 
		1 - 12 LED 1W 1 - 4 LED 4W 1 LED 12W	@110Vac			
	CC55-D-350-PI	1 - 18 LED 1W 1 - 5 LED 4W 1 LED 12W	@230Vac		 Ø 48	
		1 - 9 LED 1W 1 - 3 LED 4W	@110Vac			

■ DIMMERABILI - TAGLIO DI FASE (IGBT - TRIAC) DIMMABLE - PHASE CUT (IGBT - TRIAC)

IP67	CODE	MIN - MAX LED	Vin	DIMENSIONS (mm)	CUT-OUT	CERTIFICATIONS
	CC10-C-350-PI	7 - 10 LED 1W	@230Vac		 Ø 44	
	CC25-C-350-PI	15 - 23 LED 1W 5 - 7 LED 4W 1 - 2 LED 12W	@230Vac		 Ø 44	

POTENZIOMETRO
POTENTIOMETER

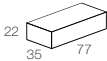

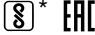
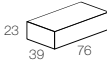

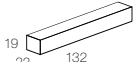





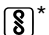

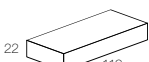






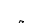






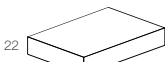







CODE
POT-M-REG-N



Alimentatori 500mA IP20

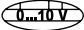


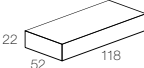






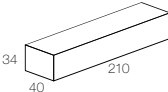




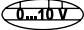







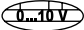
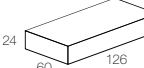










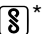

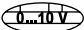


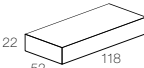




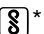

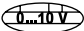

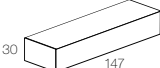



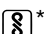




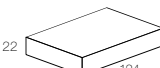








500mA LED driver IP20

■ NON DIMMERABILI NOT DIMMABLE

IP20	CODE	MIN - MAX LED	Vin	DIMENSIONS (mm)	CUT-OUT	CERTIFICATIONS
	CC6-F-500-N	1 - 3 LED 2W 1 LED 6W	@230Vac	 22 35 77	 Ø 42	
		1 - 3 LED 2W 1 LED 6W	@110Vac			
	CC10-F-500-NI	1 - 5 LED 2W 1 LED 6W 1 LED 9W	@230Vac	 23 39 76	 Ø 44	
		1 - 3 LED 2W 1 LED 6W	@110Vac			
	CC10-F-500-SI	1 - 6 LED 2W 1 LED 9W	@230Vac	 19 22 132	 Ø 28	
	CC14-F-500-S	1 - 7 LED 2W 1 - 2 LED 6W 1 LED 9W	@230Vac	 19 22 150	 Ø 32	   
		1 - 4 LED 2W 1 - 2 LED 6W	@110Vac			
	CC20-F-500-N	1 - 10 LED 2W 1 - 3 LED 6W 1 - 2 LED 9W 1 LED 18W	@230Vac	 22 52 119	 Ø 55	   
	CC20-F-500-NI	4 - 12 LED 2W 1 - 2 LED 9W 1 LED 18W	@230Vac	 23 38 125	 Ø 42	
	CC25-F-500-NT	7 - 12 LED 2W 2 - 4 LED 6W 1 - 2 LED 9W 1 LED 18W	@230Vac	 30 43 157	 Ø 53	   
	CC50-F-500-N	10 - 22 LED 2W 1 - 5 LED 6W 1 - 3 LED 9W 1 - 2 LED 18W	@230Vac	 22 79 124	 Ø 84	     
		10 - 22 LED 2W 1 - 5 LED 6W 1 - 3 LED 9W 1 - 2 LED 18W	@110Vac			

DIMMERABILI - MULTIFUNZIONE - PUSH - 1-10

DIMMABLE - MULTIFUNCTION - PUSH - 1-10

IP20	CODE	MIN - MAX LED	Vin	DIMENSIONS (mm)	CUT-OUT	CERTIFICATIONS
  	CC20-M-500-N	@230Vac 1 - 10 LED 2W 1 - 3 LED 6W 1 - 2 LED 9W 1 LED 18W	 22 52 118	 Ø 55	    EAC	
		@110Vac 1 - 7 LED 2W 1 - 3 LED 6W 1 LED 9W 1 LED 18W				
	CC30-M-500-NL	@230Vac 1 - 15 LED 2W 1 - 4 LED 6W 1 - 3 LED 9W 1 LED 18W	 34 40 210	 Ø 54	  	
		@110Vac 1 - 15 LED 2W 1 - 4 LED 6W 1 - 3 LED 9W 1 LED 18W				
  	CC32-M-500-N	@230Vac 1 - 14 LED 2W 1 - 4 LED 6W 1 - 2 LED 9W 1 LED 18W	 21 67 103	 Ø 72	   EAC	
		@110Vac 1 - 8 LED 2W 1 - 2 LED 6W 1 LED 9W				
	CC40-M-500-NR	@230Vac 4 - 18 LED 2W 1 - 4 LED 6W 1 - 3 LED 9W 1 LED 18W	 24 60 126	 Ø 64	 CLASS P	
		@110Vac 4 - 18 LED 2W 1 - 4 LED 6W 1 - 3 LED 9W 1 LED 18W				
  	CC50-M-500-N	@230Vac 10 - 22 LED 2W 1 - 5 LED 6W 1 - 3 LED 9W 1 - 2 LED 18W	 22 79 124	 Ø 84	    EAC 	
		@110Vac 10 - 12 LED 2W 1 - 5 LED 6W 1 - 3 LED 9W 1 - 2 LED 18W				
   <small>DIM-TO-WARM</small>	CC20-A-500-N	@230Vac 2 - 10 LED 2W 1 - 3 LED 6W 1 - 2 LED 9W 1 LED 18W	 22 52 118	 Ø 72	    EAC 	
		@110Vac 2 - 10 LED 2W 1 - 2 LED 6W 1 LED 9W				
  <small>DIM-TO-WARM</small>	CC36-A-500-N	@230Vac 4 - 14 LED 2W 1 - 4 LED 6W 1 - 2 LED 9W 1 LED 18W	 30 44 147	 Ø 54	   EAC 	
   <small>DIM-TO-WARM</small>	CC50-A-500-N	@230Vac 10 - 22 LED 2W 1 - 5 LED 6W 1 - 3 LED 9W 1 - 2 LED 18W	 22 79 124	 Ø 84	    EAC   	
		@110Vac 10 - 22 LED 2W 1 - 5 LED 6W 1 - 3 LED 9W 1 - 2 LED 18W				

POTENZIOMETRO
POTENTIOMETER

CODE
POT-M-REG-N




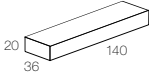


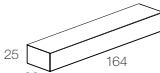



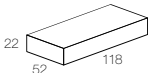






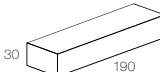






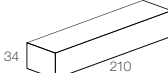














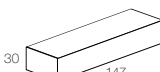















*Disponibile su richiesta
Available upon request

Alimentatori 500mA IP20

500mA LED driver IP20

DIMMERABILI - DALI

DIMMABLE - DALI

IP20	CODE	MIN - MAX LED	Vin	DIMENSIONS (mm)	CUT-OUT	CERTIFICATIONS
	CC10-D-500-NI	1 - 6 LED 2W 1 LED 6W 1 LED 9W	@230Vac	 20 140 36	 Ø 40	
	CC25-D-500-NI	1 - 15 LED 2W 1 - 4 LED 6W 1 - 2 LED 9W 1 LED 18W	@230Vac	 25 164 33	 Ø 44	
 	CC20-D-500-N	2 - 10 LED 2W 1 - 3 LED 6W 1 - 2 LED 9W 1 LED 18W	@230Vac	 22 118 52	 Ø 55	  *   * EAC
		2 - 8 LED 2W 1 - 2 LED 6W 1 LED 9W	@110Vac			
	CC20-D-500-NT	7 - 15 LED 2W 2 - 4 LED 6W 2 LED 9W 1 LED 18W	@230Vac	 30 190 43	 Ø 62	   EAC 
	CC30-D-500-NL	1 - 15 LED 2W 1 - 4 LED 6W 1 - 3 LED 9W 1 LED 18W	@230Vac	 34 210 40	 Ø 54	  *  
		1 - 15 LED 2W 1 - 4 LED 6W 1 - 3 LED 9W 1 LED 18W	@110Vac			
 	CC32-D-500-N	2 - 14 LED 2W 1 - 4 LED 6W 1 - 2 LED 9W 1 LED 18W	@230Vac	 21 103 67	 Ø 72	 
		2 - 10 LED 2W 1 - 2 LED 6W 1 LED 9W	@110Vac			
  	CC38-D-500-N	4 - 17 LED 2W 1 - 4 LED 6W 1 LED 18W	@230Vac	 30 147 44	 Ø 54	  * EAC 
   	CC50-D-500-N	10 - 22 LED 2W 1 - 5 LED 6W 1 - 3 LED 9W 1 - 2 LED 18W	@230Vac	 22 124 79	 Ø 84	    * EAC 
		10 - 22 LED 2W 1 - 5 LED 6W 1 - 3 LED 9W 1 - 2 LED 18W	@110Vac			

POTENZIOMETRO
POTENTIOMETER




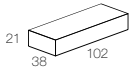




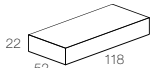






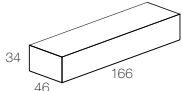




CODE
POT-M-REG-N



*Disponibile su richiesta
Available upon request




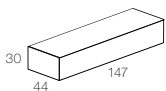





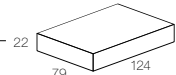




DIMMERABILI - TAGLIO DI FASE (IGBT - TRIAC)

DIMMABLE - PHASE CUT (IGBT - TRIAC)

IP20	CODE	MIN - MAX LED	Vin	DIMENSIONS (mm)	CUT-OUT	CERTIFICATIONS
   DIMA-TO-HEARM	CC10-C-500-N	3 - 5 LED 2W 1 - 2 LED 6W 1 LED 9W	@230Vac	 21 38 102	 Ø 42	
  DIMA-TO-HEARM	CC20-C-500-N	2 - 12 LED 2W 1 - 3 LED 6W 1 - 2 LED 9W 1 LED 18W	@230Vac	 22 52 118	 Ø 55	  EAC 
 	CC32-C-500-N	1 - 12 LED 2W 1 - 3 LED 6W 1 - 2 LED 9W 1 LED 18W	@230Vac	 34 46 166	 Ø 56	   * EAC



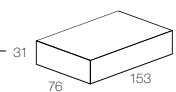



DIMMERABILI - CASAMBI INTEGRATO

DIMMABLE - CASAMBI INTEGRATED

IP20	CODE	MIN - MAX LED	Vin	DIMENSIONS (mm)	CUT-OUT	CERTIFICATIONS
 CASAMBI   DIMA-TO-HEARM	CC38-B-500-N	4 - 16 LED 2W 1 - 4 LED 6W 1 - 2 LED 9W 1 LED 18W	@230Vac	 30 44 147	 Ø 54	EAC 
   DIMA-TO-HEARM	CC60-B-500-N	10 - 22 LED 2W 1 - 5 LED 6W 1 - 3 LED 9W 1 - 2 LED 18W	@230Vac	 22 79 124	 Ø 84	 C  EAC  SELV 120V
		10 - 22 LED 2W 1 - 5 LED 6W 1 - 3 LED 9W 1 - 2 LED 18W	@110Vac			





DIMMERABILI - DMX

DIMMABLE - DMX

IP20	CODE	MIN - MAX LED	Vin	DIMENSIONS (mm)	CUT-OUT	CERTIFICATIONS
 	CC50-X-500-NL	1 - 15 LED 2W 1 - 8 LED 6W 1 - 4 LED 9W 1 - 2 LED 18W 1 - 10 LED 3x2W RGB	@230Vac	 31 76 153	 Ø 84	 C  LISTED
		1 - 15 LED 2W 1 - 8 LED 6W 1 - 4 LED 9W 1 - 2 LED 18W 1 - 10 LED 3x2W RGB	@110Vac			

NON DIMMERABILI - FISSI - PER BATTERIA

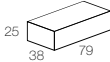

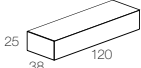

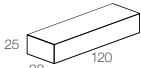

NOT DIMMABLE - FIXED - FOR BATTERY

IP20	CODE	MAX LED	Vin	DIMENSIONS (mm)	CUT-OUT	CERTIFICATIONS
	CC15-F-500-NB	1 - 3 LED 2W 1 LED 6W	12 Vdc	 21 31 61	 Ø 38	EAC 
		1 - 6 LED 2W 1 LED 6W 1 LED 9W	24 Vdc			
		1 - 12 LED 2W 1 - 3 LED 6W 1 - 2 LED 9W	48 Vdc			

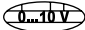
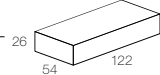


Alimentatori 500mA IP67

500mA LED driver IP67



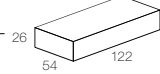



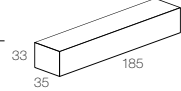

■ NON DIMMERABILI NOT DIMMABLE

IP67	CODE	MIN - MAX LED	Vin	DIMENSIONS (mm)	CUT-OUT	CERTIFICATIONS
	CC14-F-500-PI	1 - 9 LED 2W 1 - 2 LED 6W	@230Vac			
	CC20-F-500-PI	1 - 10 LED 2W 1 - 3 LED 6W 1 LED 18W	@230Vac			
	CC30-F-500-PI	9 - 18 LED 2W 3 - 4 LED 6W 1 LED 18W	@230Vac			


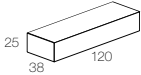

■ DIMMERABILI - MULTIFUNZIONE - PUSH - 1-10 DIMMABLE - MULTIFUNCTION - PUSH - 1-10

IP67	CODE	MIN - MAX LED	Vin	DIMENSIONS (mm)	CUT-OUT	CERTIFICATIONS
	CC20-M-500-P	1 - 10 LED 2W 1 - 3 LED 6W 1 LED 18W	@230Vac			
		1 - 8 LED 2W 1 - 2 LED 6W 1 LED 18W	@110Vac			

■ DIMMERABILI - DALI DIMMABLE - DALI

IP67	CODE	MIN - MAX LED	Vin	DIMENSIONS (mm)	CUT-OUT	CERTIFICATIONS
 	CC25-D-500-P	1 - 12 LED 2W 1 - 4 LED 6W 1 LED 18W	@230Vac			
		1 - 8 LED 2W 1 - 2 LED 6W	@110Vac			
	CC55-D-500-PI	1 - 14 LED 2W 1 - 4 LED 6W 1 LED 18W	@230Vac			
		1 - 9 LED 2W 1 - 2 LED 6W	@110Vac			

■ DIMMERABILI - TAGLIO DI FASE (IGBT - TRIAC) DIMMABLE - PHASE CUT (IGBT - TRIAC)

IP67	CODE	MIN - MAX LED	Vin	DIMENSIONS (mm)	CUT-OUT	CERTIFICATIONS
	CC25-C-500-PI	8 - 13 LED 2W 2 - 4 LED 6W 1 LED 18W	@230Vac			

POTENZIOMETRO
POTENTIOMETER

CODE
POT-M-REG-N

