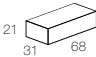





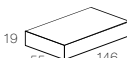

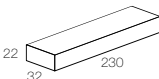
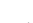
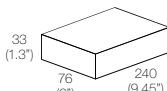


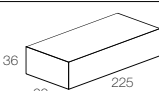
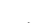
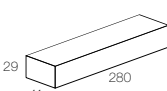

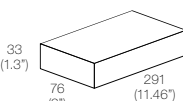


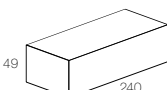



Alimentatori 24Vdc IP20

24Vdc LED driver IP20

■ NON DIMMERABILI NOT DIMMABLE

| IP20 | CODE | MAX LED | Vin | DIMENSIONS (mm) | CUT-OUT | CERTIFICATIONS |
|------|----------------|------------------|-------------|--|---|--|
| | CV6-F-24-NI | 6W - 0,25A max | 220-240 Vac |  |  Ø 36 | |
| | | 3W - 0,12A max | 100-120 Vac | | | |
| | CV8-F-24-N | 8W - 0,35A max | 220-240 Vac |  |  Ø 42 |   ERC |
| | | 8W - 0,35A max | 100-120 Vac | | | |
| | CV20-F-24-N | 21W - 1,04A max | 220-240 Vac |  |  Ø 60 | ERC |
| | | 8,5W - 0,42A max | 100-120 Vac | | | |
| | CV35-F-24-NI | 32W - 1,5A max | 220-240 Vac |  |  Ø 39 | |
| | CV60-F-24-NE* | 52W - 2,5A max | 100-120 Vac |  |  Ø 84 (3.3") |  |
| | CV70-F-24-N | 63W - 2,9A max | 220-240 Vac |  |  Ø 70 | ERC |
| | CV75-F-24-NI | 70W - 3,125A max | 220-240 Vac |  |  Ø 49 | |
| | | 35W - 1,5A max | 100-120 Vac | | | |
| | CV100-F-24-NE* | 83W - 4A max | 100-120 Vac |  |  Ø 84 (3.3") |  |
| | CV150-F-24-N | 140W - 6,25A max | 220-240 Vac |  |  Ø 80 | ERC |


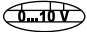

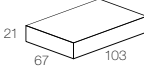





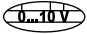

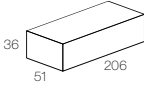

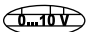
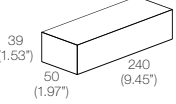





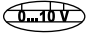


*Non adatto al mercato UE, solo per utilizzo negli USA
Not suitable for the UE market, only for USA installation

Alimentatori 24 Vdc IP20

24 Vdc LED driver IP20




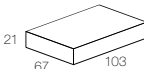





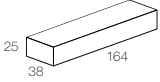


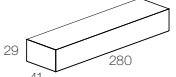


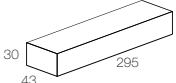


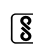



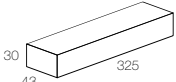





DIMMERABILI - MULTIFUNZIONE - PUSH - 1-10

DIMMABLE - MULTIFUNCTION - PUSH - 1-10

|  IP20 | CODE | MAX LED | V _{in} | DIMENSIONS (mm) | CUT-OUT | CERTIFICATIONS |
|--|----------------|-----------------|-----------------|--|--|---|
|   | CV20-M-24-N | 18W - 0,83A max | 220-240 Vac |  21 67 103 |  Ø 72 |     |
| | | 13W - 0,62A max | 100-120 Vac | | | |
|   | CV50-M-24-NQ | 55W - 2,5A max | 220-240 Vac |  36 51 206 |  Ø 60 | |
| | | 37W - 1,66A max | 100-120 Vac | | | |
|  | CV60-M-24-NE* | 52W - 2,5A max | 100-120 Vac |  39 (1.53") 50 (1.97") 240 (9.45") |  Ø 84 (3.3") |   |
|  | CV100-M-24-NE* | 83W - 4A max | 100-120 Vac |  33 (1.3") 76 (3") 291 (11.46") |  Ø 84 (3.3") |   |

DIMMERABILI - DALI

DIMMABLE - DALI

|  IP20 | CODE | MAX LED | V _{in} | DIMENSIONS (mm) | CUT-OUT | CERTIFICATIONS |
|--|---------------|------------------|-----------------|--|---|---|
|   | CV20-D-24-N | 18W - 0,83A max | 220-240 Vac |  21 67 103 |  Ø 72 |    |
| | | 13W - 0,62A max | 100-120 Vac | | | |
|  | CV25-D-24-NI | 22W - 1A max | 220-240 Vac |  25 38 164 |  Ø 44 | |
|  | CV75-D-24-NI | 67W - 3,125A max | 220-240 Vac |  29 41 280 |  Ø 49 | |
|  | CV100-D-24-NT | 93W - 4,167A max | 220-240 Vac |  30 43 295 |  Ø 54 |     |
|  | CV150-D-24-NT | 112W - 6,25A max | 220-240 Vac |  30 43 325 |  Ø 54 |     |

POTENZIOMETRO
POTENTIOMETER

CODE
POT-M-REG-N





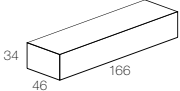






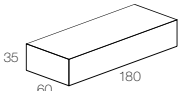

*Non adatto al mercato UE, solo per utilizzo negli USA
Not suitable for the UE market, only for USA installation

Alimentatori 24 Vdc IP20

24 Vdc LED driver IP20



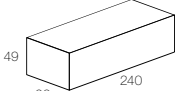


DIMMERABILI - TAGLIO DI FASE (IGBT - TRIAC)

DIMMABLE - PHASE CUT (IGBT - TRIAC)

| IP20 | CODE | MAX LED | Vin | DIMENSIONS (mm) | CUT-OUT | CERTIFICATIONS |
|--|-------------|-----------------|-------------|---|--|---|
|   | CV20-C-24-N | 18W - 0,9A max | 220-240 Vac |  |  Ø 56 |    EAC |
|   <small>DMX-TO-WARM</small> | CV45-C-24-N | 37W - 1,87A max | 220-240 Vac |  |  Ø 80 | EAC |


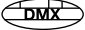
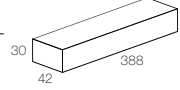




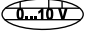




DIMMERABILI - CASAMBI INTEGRATO

DIMMABLE - CASAMBI INTEGRATED

| IP20 | CODE | MAX LED | Vin | DIMENSIONS (mm) | CUT-OUT | CERTIFICATIONS |
|--|--------------|---------------|-------------|---|--|---|
|   | CV120-B-24-N | 110W - 5A max | 220-240 Vac |  |  Ø 80 |  EAC |

DIMMERABILI - DMX-DALI

DIMMABLE - DMX-DALI

| IP20 | CODE | MAX LED | Vin | DIMENSIONS (mm) | CUT-OUT | CERTIFICATIONS |
|--|---------------|-------------------------------|-------------|---|--|---|
|   | CV100-L-24-NL | 94W - 1A (x4ch) max | 220-240 Vac |  |  Ø 57 |    |
| | | 94W - 1A (x4ch) max | 100-120 Vac | | | |
|   | CV120-Y-24-N | 115W - 5A max (100 su 1ch) | 220-240 Vac |  |  Ø 80 |  EAC |

POTENZIOMETRO
POTENTIOMETER

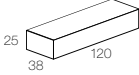

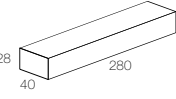

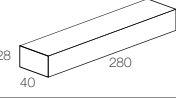

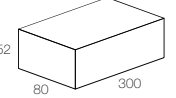

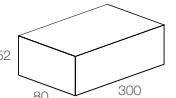



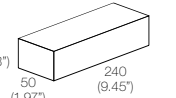

CODE
POT-M-REG-N



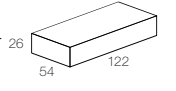


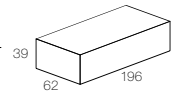

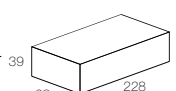

Alimentatori 24Vdc IP67

24Vdc LED driver IP67

■ NON DIMMERABILI NOT DIMMABLE

| IP67 | CODE | MAX LED | Vin | DIMENSIONS (mm) | CUT-OUT | CERTIFICATIONS |
|------|----------------|-------------------|-------------|--|---|-------------------------|
| IP67 | CV30-F-24-PI | 26W - 1,5A max | 220-240 Vac |  25 38 120 |  Ø 44 | |
| | | 13W - 0,6A max | 100-120 Vac | | | |
| IP67 | CV75-F-24-PI | 72W - 3,125A max | 220-240 Vac |  28 40 280 |  Ø 48 | |
| | | | | | | |
| IP67 | CV150-F-24-PI | 140W - 6,250A max | 220-240 Vac |  28 40 280 |  Ø 48 | |
| | | | | | | |
| IP67 | CV70-F-24-P | 63W - 2,90A max | 220-240 Vac |  52 80 300 |  Ø 85 | EAC |
| | | | | | | |
| IP67 | CV150-F-24-P | 140W - 6,25A max | 220-240 Vac |  52 80 300 |  Ø 85 | EAC |
| | | | | | | |
| IP67 | CV240-F-24-PM | 215W - 10A max | 220-240 Vac |  39 68 245 |  Ø 79 | UL PS E CCC S EAC cULus |
| | | 215W - 10A max | 100-120 Vac | | | |
| IP66 | CV260-F-24-PW* | 235W - 10,83A max | 100-120 Vac |  39 (1.53") 50 (1.97") 240 (9.45") |  Ø 64 (2.52") | UL LISTED CLASS P |

■ DIMMERABILI - MULTIFUNZIONE - PUSH - 1-10 DIMMABLE - MULTIFUNCTION - PUSH - 1-10

| IP67 | CODE | MAX LED | Vin | DIMENSIONS (mm) | CUT-OUT | CERTIFICATIONS |
|------|---------------|-----------------|-------------|--|---|---|
| IP67 | CV20-M-24-P | 15W - 0,7A max | 220-240 Vac |  26 54 122 |  Ø 60 |  |
| | | 13W - 0,6A max | 100-120 Vac | | | |
| IP67 | CV80-R-24-PM | 72W - 3,4A max | 220-240 Vac |  39 62 196 |  Ø 74 | UL CCC S EAC cULus KC |
| | | 72W - 3,4A max | 100-120 Vac | | | |
| IP67 | CV185-R-24-PM | 165W - 7,8A max | 220-240 Vac |  39 68 228 |  Ø 79 | CCC cULus |
| | | 165W - 7,8A max | 100-120 Vac | | | |

POTENZIOMETRO
POTENTIOMETER


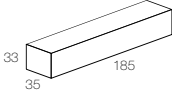


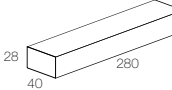

CODE
POT-M-REG-N



*Non adatto al mercato UE, solo per utilizzo negli USA
Not suitable for the UE market, only for USA installation



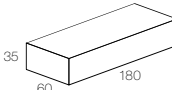


DIMMERABILI - DALI

DIMMABLE - DALI

| IP67 | CODE | MAX LED | Vin | DIMENSIONS (mm) | CUT-OUT | CERTIFICATIONS |
|---|--------------|------------------|-------------|---|--|----------------|
|  | CV25-D-24-PI | 23W - 1A max | 220-240 Vac |  |  Ø 48 | |
|  | CV75-D-24-PI | 70W - 3,125A max | 220-240 Vac |  |  Ø 48 | |

DIMMERABILI - TAGLIO DI FASE (IGBT - TRIAC)

DIMMABLE - PHASE CUT (IGBT - TRIAC)

| IP66 | CODE | MAX LED | Vin | DIMENSIONS (mm) | CUT-OUT | CERTIFICATIONS |
|--|-------------|-----------------|-------------|---|--|---|
|   <small>DIM-TO-WARM</small> | CV80-C-24-P | 66W - 3,33A max | 220-240 Vac |  |  Ø 85 |  |

POTENZIOMETRO
POTENTIOMETER

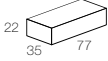



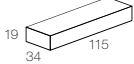










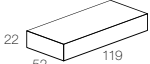



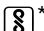
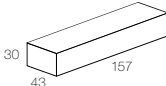




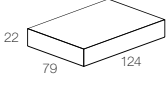






CODE
POT-M-REG-N



Alimentatori 350mA IP20

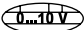


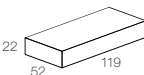






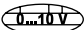
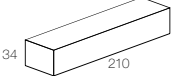




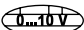


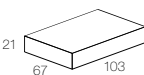





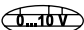
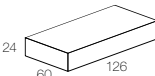


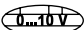







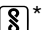


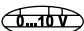


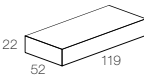




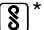


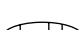


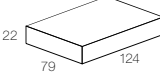







350mA LED driver IP20

■ NON DIMMERABILI NOT DIMMABLE

| IP20 | CODE | MIN - MAX LED | Vin | DIMENSIONS (mm) | CUT-OUT | CERTIFICATIONS |
|------|---------------|---|---------|---|---|---|
| IP20 | CC6-F-350-N | 1 - 6 LED 1W 1 LED 4W 1 LED ZOOM | @230Vac |  |  Ø 42 |   * EAC |
| | | 1 - 6 LED 1W 1 LED 4W 1 LED ZOOM | @110Vac | | | |
| IP20 | CC14-F-350N | 1 - 13 LED 1W 1 - 4 LED 4W 1 - 3 LED ZOOM 1 LED 12W | @230Vac |  |  Ø 40 |     * |
| | | 1 - 9 LED 1W 1 - 2 LED 4W 1 - 2 LED ZOOM | @110Vac | | | |
| IP20 | CC15-F-350-S | 1 - 13 LED 1W 1 - 3 LED 4W 1 - 3 LED ZOOM 1 LED 12W | @230Vac |  |  Ø 32 |    * EAC |
| | | 1 - 5 LED 1W 1 LED 4W 1 LED ZOOM | @110Vac | | | |
| IP20 | CC20-F-350-N | 1 - 16 LED 1W 1 - 5 LED 4W 1 - 4 LED ZOOM 1 LED 12W | @230Vac |  |  Ø 55 |    * EAC |
| | | | | | | |
| IP20 | CC25-F-350-NT | 7 - 16 LED 1W 3 - 5 LED 4W 2 - 4 LED ZOOM 1 LED 12W | @230Vac |  |  Ø 53 |   EAC  |
| | | | | | | |
| IP20 | CC50-F-350-N | 10 - 23 LED 1W 1 - 8 LED 4W 1 - 6 LED ZOOM 1 - 2 LED 12W | @230Vac |  |  Ø 84 |     * EAC  |
| | | 10 - 23 LED 1W 1 - 8 LED 4W 1 - 6 LED ZOOM 1 - 2 LED 12W | @110Vac | | | |

DIMMERABILI - MULTIFUNZIONE - PUSH - 1-10

DIMMABLE - MULTIFUNCTION - PUSH - 1-10

| IP20 | CODE | MIN - MAX LED | Vin | DIMENSIONS (mm) | CUT-OUT | CERTIFICATIONS |
|---|---------------|--|---------|--|--|---|
|    | CC20-M-350-N | 1 - 14 LED 1W 1 - 4 LED 4W 1 - 3 LED ZOOM 1 LED 12W | @230Vac |  22 52 119 |  Ø 55 |      |
| | | 1 - 14 LED 1W 1 - 4 LED 4W 1 - 3 LED ZOOM 1 LED 12W | @110Vac | | | |
|  | CC30-M-350-NL | 1 - 18 LED 1W 1 - 6 LED 4W 1 - 4 LED ZOOM 1 LED 12W | @230Vac |  34 40 210 |  Ø 54 |    |
| | | 1 - 18 LED 1W 1 - 6 LED 4W 1 - 4 LED ZOOM 1 LED 12W | @110Vac | | | |
|    | CC32-M-350-N | 4 - 17 LED 1W 2 - 5 LED 4W 1 - 4 LED ZOOM 1 LED 12W | @230Vac |  21 67 103 |  Ø 72 |     |
| | | 4 - 14 LED 1W 2 - 3 LED 4W 1 - 3 LED ZOOM 1 LED 12W | @110Vac | | | |
|  | CC40-M-350-NR | 4 - 18 LED 1W 2 - 6 LED 4W 1 - 4 LED ZOOM 1 LED 12W | @230Vac |  24 60 126 |  Ø 64 |  |
| | | 4 - 18 LED 1W 2 - 6 LED 4W 1 - 4 LED ZOOM 1 LED 12W | @110Vac | | | |
|    | CC50-M-350-N | 10 - 23 LED 1W 1 - 8 LED 4W 1 - 6 LED ZOOM 1 - 2 LED 12W | @230Vac |  22 79 124 |  Ø 84 |       |
| | | 10 - 23 LED 1W 1 - 8 LED 4W 1 - 6 LED ZOOM 1 - 2 LED 12W | @110Vac | | | |
|    | CC20-A-350-N | 5 - 16 LED 1W 2 - 4 LED 4W 2 - 4 LED ZOOM 1 LED 12W (DimToWarm) | @230Vac |  22 52 119 |  Ø 72 |       |
| | | 5 - 15 LED 1W 2 - 3 LED 4W 2 - 3 LED ZOOM 1 LED 12W (DimToWarm) | @110Vac | | | |
|    | CC50-A-350-N | 10 - 23 LED 1W 1 - 8 LED 4W 1 - 6 LED ZOOM 1 - 2 LED 12W (DimToWarm) | @230Vac |  22 79 124 |  Ø 84 |       |
| | | 10 - 23 LED 1W 1 - 8 LED 4W 1 - 6 LED ZOOM 1 - 2 LED 12W (DimToWarm) | @110Vac | | | |

POTENZIOMETRO
POTENTIOMETER

CODE
POT-M-REG-N





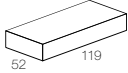






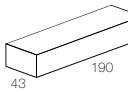







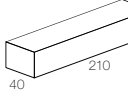







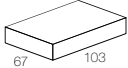
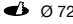







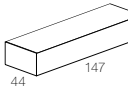









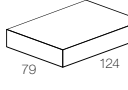







*Disponibile su richiesta
Available upon request

Alimentatori 350mA IP20

350mA LED driver IP20



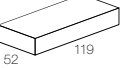







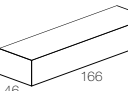





DIMMERABILI - DALI

DIMMABLE - DALI

| IP20 | CODE | MIN - MAX LED | Vin | DIMENSIONS (mm) | CUT-OUT | CERTIFICATIONS |
|---|---------------|---|---------|--|---|---|
|   | CC20-D-350-N | 4 - 14 LED 1W 1 - 4 LED 4W 1 - 3 LED ZOOM 1 LED 12W | @230Vac |  22 52 119 |  Ø 55 |     |
| | | 4 - 14 LED 1W 1 - 4 LED 4W 1 - 3 LED ZOOM 1 LED 12W | @110Vac | | | |
|  | CC20-D-350-NT | 7 - 16 LED 1W 3 - 5 LED 4W 2 - 4 LED ZOOM 1 LED 12W | @230Vac |  30 43 190 |  Ø 62 |      |
|  | CC30-D-350-NL | 1 - 18 LED 1W 1 - 6 LED 4W 1 - 4 LED ZOOM 1 LED 12W | @230Vac |  34 40 210 |  Ø 54 |     |
| | | 1 - 18 LED 1W 1 - 6 LED 4W 1 - 4 LED ZOOM 1 LED 12W | @110Vac | | | |
|   | CC32-D-350-N | 2 - 16 LED 1W 1 - 4 LED 4W 1 - 4 LED ZOOM 1 LED 12W | @230Vac |  21 67 103 |  Ø 72 |     |
| | | 2 - 14 LED 1W 1 - 3 LED 4W 1 - 3 LED ZOOM 1 LED 12W | @110Vac | | | |
|    | CC38-D-350-N | 4 - 18 LED 1W 2 - 5 LED 4W 1 - 4 LED ZOOM 1 LED 12W | @230Vac |  30 44 147 |  Ø 54 |     |
| | | | | | | |
|     | CC50-D-350-N | 10 - 23 LED 1W 1 - 8 LED 4W 1 - 6 LED ZOOM 1 - 2 LED 12W | @230Vac |  22 79 124 |  Ø 84 |       |
| | | 10 - 23 LED 1W 1 - 8 LED 4W 1 - 6 LED ZOOM 1 - 2 LED 12W | @110Vac | | | |

DIMMERABILI - TAGLIO DI FASE (IGBT - TRIAC)

DIMMABLE - PHASE CUT (IGBT - TRIAC)

| IP20 | CODE | MIN - MAX LED | Vin | DIMENSIONS (mm) | CUT-OUT | CERTIFICATIONS |
|---|--------------|--|---------|--|---|---|
|   | CC18-C-350-N | 9 - 17 LED 1W 3 - 5 LED 4W 2 - 4 LED ZOOM 1 LED 12W | @230Vac |  22 52 119 |  Ø 55 |     |
| | | | | | | |
|   | CC32-C-350-N | 1 - 15 LED 1W 1 - 5 LED 4W 1 - 3 LED ZOOM 1 LED 12W | @230Vac |  34 46 166 |  Ø 56 |     |
| | | | | | | |

POTENZIOMETRO
POTENTIOMETER




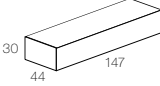



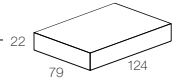









CODE
POT-M-REG-N



*Disponibile su richiesta
Available upon request

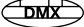

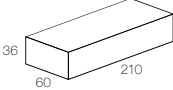


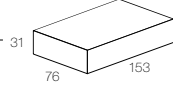




DIMMERABILI - CASAMBI INTEGRATO

DIMMABLE - CASAMBI INTEGRATED

| IP20 | CODE | MIN - MAX LED | Vin | DIMENSIONS (mm) | CUT-OUT | CERTIFICATIONS |
|---|--------------|---|---------|--|--|---|
|    | CC38-B-350-N | 4 - 18 LED 1W 2 - 5 LED 4W 1 - 4 LED ZOOM 1 LED 12W | @230Vac |  30 44 147 |  Ø 54 |   |
| | CC60-B-350-N | 10 - 23 LED 1W 1 - 8 LED 4W 1 - 6 LED ZOOM 1 - 2 LED 12W | @230Vac |  22 79 124 |  Ø 84 |      |
|    | | 10 - 23 LED 1W 1 - 8 LED 4W 1 - 6 LED ZOOM 1 - 2 LED 12W | @110Vac | | | |


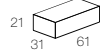



DIMMERABILI - DMX

DIMMABLE - DMX

| IP20 | CODE | MIN - MAX LED | Vin | DIMENSIONS (mm) | CUT-OUT | CERTIFICATIONS |
|--|---------------|---|---------|--|--|---|
|   | CC36-X-350-N | 1 - 30 LED 1W 1 - 9 LED 4W 1 - 9 LED ZOOM 1 - 3 LED 12W 1 - 10 LED 3x1W RGB | @230Vac |  36 60 210 |  Ø 70 |  |
| | CC50-X-350-NL | 1 - 40 LED 1W 1 - 12 LED 4W 1 - 12 LED ZOOM 1 - 4 LED 12W 1 - 16 LED 3x1W RGB | @230Vac |  31 76 153 |  Ø 84 |   |
|  | | 1 - 40 LED 1W 1 - 4 LED 4W 1 - 4 LED ZOOM 1 LED 12W 1 - 16 LED 3x1W RGB | @110Vac | | | |

NON DIMMERABILI - FISSI - PER BATTERIA

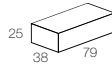

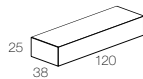

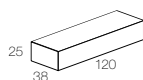

NOT DIMMABLE - FIXED - FOR BATTERY

| IP20 | CODE | MAX LED | Vin | DIMENSIONS (mm) | CUT-OUT | CERTIFICATIONS |
|---|---------------|---|--------|---|--|---|
|  | CC10-F-350-NB | 1 - 3 LED 1W 1 LED 4W 1 LED ZOOM | 12 Vdc |  21 31 61 |  Ø 38 |   |
| | | 1 - 6 LED 1W 1 - 2 LED 4W 1 LED ZOOM | 24 Vdc | | | |
| | | 1 - 12 LED 1W 1 - 4 LED 4W 1 - 3 LED ZOOM | 48 Vdc | | | |


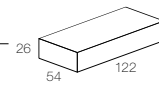


Alimentatori 350mA IP67

350mA LED driver IP67



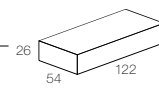




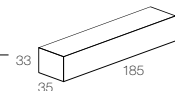

■ NON DIMMERABILI NOT DIMMABLE

| IP67 | CODE | MIN - MAX LED | Vin | DIMENSIONS (mm) | CUT-OUT | CERTIFICATIONS |
|------|---------------|---|---------|---|---|----------------|
| | CC14-F-350-PI | 1 - 13 LED 1W 1 - 4 LED 4W 1 LED 12W | @230Vac |  |  Ø 44 | |
| | CC15-F-350-PI | 1 - 14 LED 1W 1 - 4 LED 4W 1 LED 12W | @230Vac |  |  Ø 44 | |
| | CC20-F-350-PI | 10 - 18 LED 1W 3 - 5 LED 4W 1 LED 12W | @230Vac |  |  Ø 44 | |


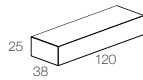


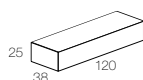

■ DIMMERABILI - MULTIFUNZIONE - PUSH - 1-10 DIMMABLE - MULTIFUNCTION - PUSH - 1-10

| IP67 | CODE | MIN - MAX LED | Vin | DIMENSIONS (mm) | CUT-OUT | CERTIFICATIONS |
|---|--------------|--|---------|---|---|---|
|  | CC16-M-350-P | 1 - 15 LED 1W 1 - 4 LED 4W 1 LED 12W | @230Vac |  |  Ø 60 |  EAC |
| | | 1 - 14 LED 1W 1 - 3 LED 4W 1 LED 12W | @110Vac | | | |

■ DIMMERABILI - DALI DIMMABLE - DALI

| IP67 | CODE | MIN - MAX LED | Vin | DIMENSIONS (mm) | CUT-OUT | CERTIFICATIONS |
|--|---------------|--|---------|---|---|---|
|   | CC20-D-350-P | 1 - 16 LED 1W 1 - 5 LED 4W 1 LED 12W | @230Vac |  |  Ø 60 |  EAC  |
| | | 1 - 12 LED 1W 1 - 4 LED 4W 1 LED 12W | @110Vac | | | |
|  | CC55-D-350-PI | 1 - 18 LED 1W 1 - 5 LED 4W 1 LED 12W | @230Vac |  |  Ø 48 | |
| | | 1 - 9 LED 1W 1 - 3 LED 4W | @110Vac | | | |

■ DIMMERABILI - TAGLIO DI FASE (IGBT - TRIAC) DIMMABLE - PHASE CUT (IGBT - TRIAC)

| IP67 | CODE | MIN - MAX LED | Vin | DIMENSIONS (mm) | CUT-OUT | CERTIFICATIONS |
|---|---------------|---|---------|---|---|----------------|
|  | CC10-C-350-PI | 7 - 10 LED 1W | @230Vac |  |  Ø 44 | |
|  | CC25-C-350-PI | 15 - 23 LED 1W 5 - 7 LED 4W 1 - 2 LED 12W | @230Vac |  |  Ø 44 | |

POTENZIOMETRO
POTENTIOMETER

CODE
POT-M-REG-N

