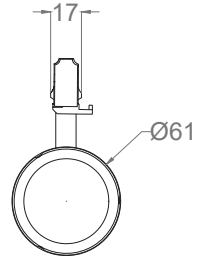
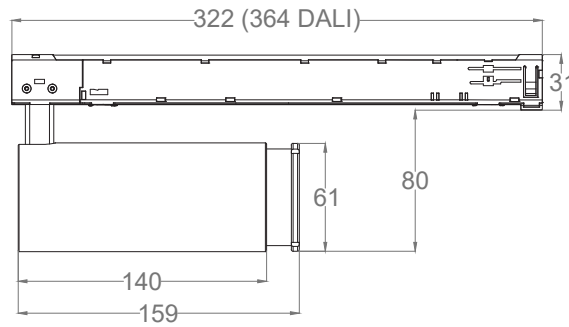


Aurora Zoom 1500 F

Track and surface zoom projectors | IP40 | Class II | Dimmable



LIGHT SOURCE & OPTIC

Power

18W

Lens

Zoom 9°>40°

Beam Direction

Adjustable:
Tilting +/-90°, rotating +/-355°,
Symmetrical

Material

Glass

LED quantity

1

Binning

2 MacAdam steps

Color temperature & quality

2700K CRI>80
3000K CRI>80
3000K CRI>90
4000K CRI>90

Lifetime

(L90) >60.000 hrs

FIXTURE

Dimensions

Ø 61mm x H 158 mm (cylinder)

Material

Aluminium

Body finishes

Black (RAL 9005)
White (RAL 9003)
All White (RAL 9003)

Weight

735gr

Mounting

On Track

Fixing

Track Connector

Working temperature

-20° / +40°

ELECTRICAL FEATURES

Power supply

Main Voltage:
220-240ac

Driver requirement

Built-in driver

Control

On/off
DALI

Aurora Zoom 1500 F

INSTALLATION ACCESSORIES

Compatible with 230Vac Track:

Surface and suspended track (A01668._0)
1m

