

DGA

MACRO IP67

24Vdc



IP67



Class III



Montaggio a parete, soffitto, pavimento
Wall, ceiling, floor mounting



WIPS - Water Infiltration Protection System



Cavo in neoprene 200 cm
200 cm neoprene cable
(disponibile lunghezza cavo su misura)
(additional cable length available upon request)



Collegare in parallelo 24Vdc
Connect in parallel at 24Vdc



380 gr



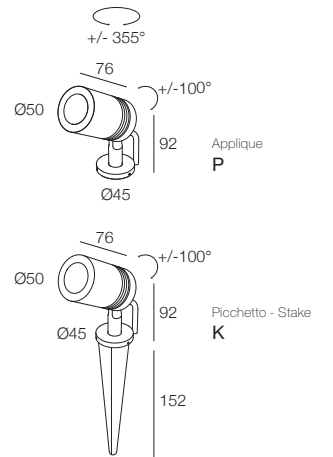
Altamente riciclabile
Highly recyclable



MACRO IP67

24Vdc

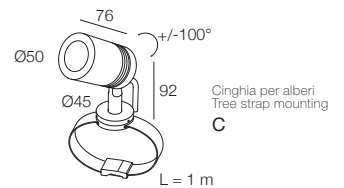
	3W 24Vdc	6W 24Vdc	9W 24Vdc	Finiture Finish	Colore LED LED Colour	Elementi di fissaggio Fixing element
Lumen Output 3000K	200lm	450lm	600lm			
3° Lens	7TA863._._-UL			3 Grigio - Gray 4 Nero - Black 6 Acciaio Inox Stainless Steel AISI 316L T Titanio - Titanium	Y 2700K W 3000K CRI > 90 6 3000K J 3500K 9 4000K	P Applique - Applique K Picchetto - Stake C Cinghia per alberi Tree strap mounting
10° Lens	73A862._._-UL 73A866._._-UL					
30° Lens	76A862._._-UL 76A866._._-UL					
50° Lens	7DA862._._-UL 7DA866._._-UL					



MACRO IP67

24Vdc - CON NIDO D'APE - WITH HEX LOUVER

	3W 24Vdc	6W 24Vdc	9W 24Vdc	Finiture Finish	Colore LED LED Colour	Elementi di fissaggio Fixing element
Lumen Output 3000K	200lm	450lm	600lm			
3° Lens	7TA865._._-UL			3 Grigio - Gray 4 Nero - Black 6 Acciaio Inox Stainless Steel AISI 316L T Titanio - Titanium	Y 2700K W 3000K CRI > 90 6 3000K J 3500K 9 4000K	P Applique - Applique K Picchetto - Stake C Cinghia per alberi Tree strap mounting
10° Lens	73A864._._-UL 73A867._._-UL					
30° Lens	76A864._._-UL 76A867._._-UL					
50° Lens	7DA864._._-UL 7DA867._._-UL					



ALIMENTATORI CONSIGLIATI (non inclusi)
SUGGESTED DRIVERS (not included)

24Vdc CV100-F-24-NE

ACCESSORI
ACCESSORIES



Visiera
antiabbagliamento
Low glare visor
A00519._0



Visiera cilindrica
antiabbagliamento
Low glare snoot
A00848._0

EXAMPLE CODE COMPOSITION
123456._.-UL

