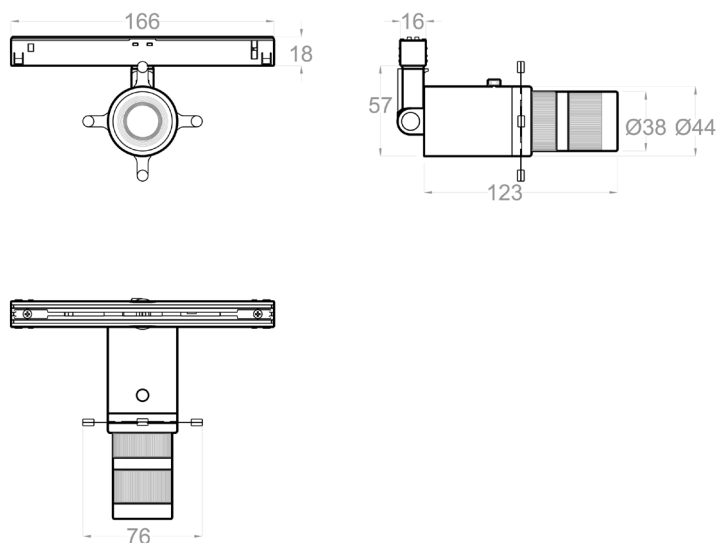


Ariel Contour B Multi

Track projector | IP40 | Class III | Dimmable



LIGHT SOURCE & OPTIC

Power

10W

Lens

Zoom Lens: 24°>35°

Beam Direction

Adjustable:
Tilting +/- 90°, Rotating +/- 355°,
Symmetrical

Material

PMMA

LED quantity

1

Binning

2 MacAdam step

Color temperature & quality

2200K CRI>90
2400K CRI>90
2700K CRI>90/95
3000K CRI>80/90/95
3500K CRI>90/95
4000K CRI>90

Lifetime

(L70) >77.000 hrs

FIXTURE

Dimensions

Ø 38mm x H 123mm

Material

Aluminium

Body finishes

Black

Weight

370gr

Mounting

On Track

Fixing

Track connector

Working temperature

-20° / +40°

ELECTRICAL FEATURES

Power supply

Constant tension 24-48 Vdc
Typical Vf= 18V

Driver

Remote (not included)

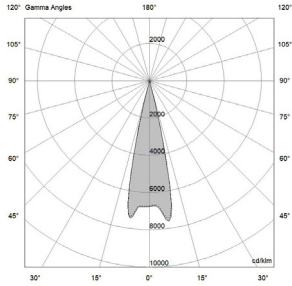
Control

On/off
DALI
Broadcast

Ariel Contour B Multi

PHOTOMETRIC DATA (3000K CRI>90)

10W - 24° | UGR 0

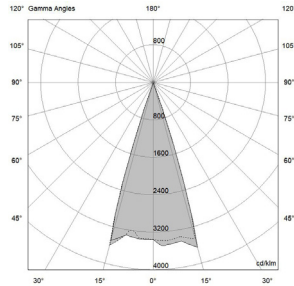


H (m)	D (m)	Eav (lx)
1	0.43	2646
2	0.86	661
3	1.30	294
4	1.73	165
5	2.16	106

Total lumen output
527 lm

Efficacy
53 lm/W

10W - 35° | UGR 0



H (m)	D (m)	Eav (lx)
1	0.63	1079
2	1.26	270
3	1.89	120
4	2.52	67
5	3.15	43

Total lumen output
452 lm

Efficacy
45 lm/W

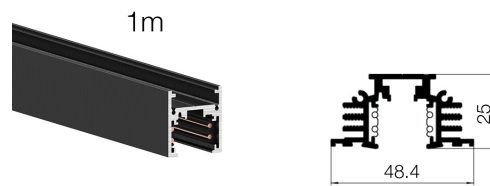
Ariel Contour B Multi

INSTALLATION ACCESSORIES

Compatible with 24-48Vdc Multisystem Track:
Standard track (A00918._0)



Trimless track (A01064._0)

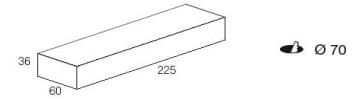


Suspended track (A01664._0)



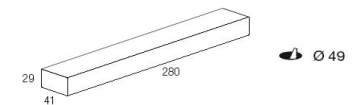
SUGGESTED REMOTE DRIVERS

On/Off :
CC70-F-24-N
CV70-F-48-N



For On/Off and DALI version.
Please consider 1 address for each DALI projector.

Multifunction (DALI 2, 0/1-10V, PUSH):
CV75-DM-24-NI
CV75-DM-48-NI



For Broadcast version.
Please consider 1 address for each driver in case of DALI control.

Other options upon request