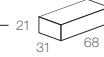



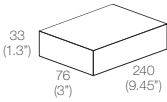


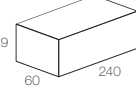





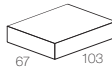




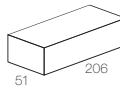


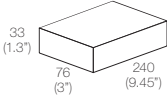


# Alimentatori 12Vdc IP20

## 12Vdc LED drivers IP20


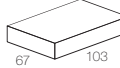



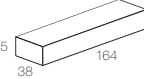



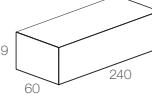


### NON DIMMERABILI NOT DIMMABLE

IP20	CODE	MAX LED	V <sub>in</sub>	DIMENSIONS (mm)	CUT-OUT	CERTIFICATIONS
	CV6-F-12-NI	6W - 0,5A max	220-240 Vac	 21 31 68	 Ø 36	
		3W - 0,25A max	100-120 Vac			
	CV20-F-12-N	21W - 2,08A max	220-240 Vac	 19 55 146	 Ø 60	EAC
		10W - 0,83A max	100-120 Vac			
	CV60-F-12-NE*	51W - 5A max	100-120 Vac	 33 (1.3") 76 (3") 240 (9.45")	 Ø 84 (3.3")	
	CV70-F-12-N	62W - 5,8A max	220-240 Vac	 49 60 240	 Ø 80	EAC

### DIMMERABILI - MULTIFUNZIONE - PUSH - 1-10 DIMMABLE - MULTIFUNCTION - PUSH - 1-10

IP20	CODE	MAX LED	V <sub>in</sub>	DIMENSIONS (mm)	CUT-OUT	CERTIFICATIONS
 	CV20-M-12-N	10W - 0,9A max	220-240 Vac	 21 67 103	 Ø 72	
		10W - 0,9A max	100-120 Vac			
 	CV45-M-12-NQ	42W - 3,3A max	220-240 Vac	 36 51 206	 Ø 60	
		33W - 2,9A max	100-120 Vac			
	CV60-M-12-NE*	51W - 5A max	100-120 Vac	 33 (1.3") 76 (3") 240 (9.45")	 Ø 84 (3.3")	

### DIMMERABILI - DALI DIMMABLE - DALI

IP20	CODE	MAX LED	V <sub>in</sub>	DIMENSIONS (mm)	CUT-OUT	CERTIFICATIONS
	CV20-D-12-N	10W - 0,9A max	220-240 Vac	 21 67 103	 Ø 72	
		10W - 0,9A max	100-120 Vac			
	CV25-D-12-NI	22W - 2A max	220-240 Vac	 25 38 164	 Ø 44	
 	CV80-D-12-N**	78W - 6,7A max (50 su 1ch)	100-120 Vac	 49 60 240	 Ø 80	

POTENZIOMETRO  
POTENTIOMETER

CODE  
POT-M-REG-N



\*Non adatto al mercato UE, solo per utilizzo negli USA  
Not suitable for the UE market, only for USA installation

\*\*Disponibile da gennaio 2022  
Available starting from January 2022