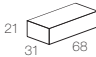





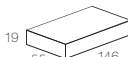

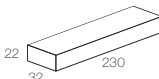

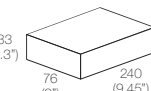


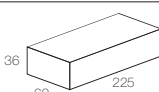

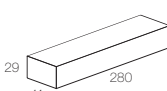

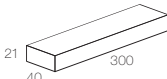



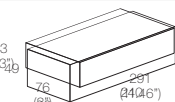





Alimentatori 24Vdc IP20

24Vdc LED driver IP20

■ NON DIMMERABILI NOT DIMMABLE

IP20	CODE	MAX LED	Vin	DIMENSIONS (mm)	CUT-OUT	CERTIFICATIONS
	CV6-F-24-NI	6W - 0,25A max	220-240 Vac	 21 31 68	 Ø 36	
		3W - 0,12A max	100-120 Vac			
	CV8-F-24-N	8W - 0,35A max	220-240 Vac	 22 35 77	 Ø 42	  EAC
		8W - 0,35A max	100-120 Vac			
	CV20-F-24-N	21W - 1,04A max	220-240 Vac	 19 55 146	 Ø 60	EAC
		8,5W - 0,42A max	100-120 Vac			
	CV35-F-24-NI	32W - 1,5A max	220-240 Vac	 22 32 230	 Ø 39	
	CV60-F-24-NE*	52W - 2,5A max	100-120 Vac	 33 (1.3") 76 (3") 240 (9.45")	 Ø 84 (3.3")	
	CV70-F-24-N	63W - 2,9A max	220-240 Vac	 36 60 225	 Ø 70	EAC
	CV75-F-24-NI	70W - 3,125A max	220-240 Vac	 29 41 280	 Ø 49	
		35W - 1,5A max	100-120 Vac			
	CV96-F-24-NT	87W - 4A max	220-240 Vac	 21 40 300	 Ø 46	
		87W - 4A max	100-120 Vac			
	CV100-F-24-NE*	83W - 4A max	100-120 Vac		 Ø 84 (3.3")	
	CV150-F-24-N	140W - 6,25A max	220-240 Vac	 33 (1.3") 76 (3") 281 (11.06")	 Ø 80	EAC
	CV180-F-24-NT	162W - 7,5A max	220-240 Vac	 31 64 280	 Ø 72	
		162W - 7,5A max	100-120 Vac			



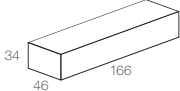


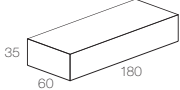


*Non adatto al mercato UE, solo per utilizzo negli USA
Not suitable for the UE market, only for USA installation

Alimentatori 24 Vdc IP20

24 Vdc LED driver IP20



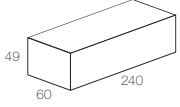


DIMMERABILI - TAGLIO DI FASE (IGBT - TRIAC)

DIMMABLE - PHASE CUT (IGBT - TRIAC)

IP20	CODE	MAX LED	Vin	DIMENSIONS (mm)	CUT-OUT	CERTIFICATIONS
 	CV20-C-24-N	18W - 0,9A max	220-240 Vac		 Ø 56	
	CV45-C-24-N	37W - 1,87A max	220-240 Vac		 Ø 80	



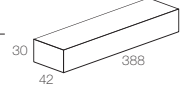




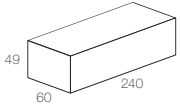


DIMMERABILI - CASAMBI INTEGRATO

DIMMABLE - CASAMBI INTEGRATED

IP20	CODE	MAX LED	Vin	DIMENSIONS (mm)	CUT-OUT	CERTIFICATIONS
 	CV120-B-24-N	110W - 5A max	220-240 Vac		 Ø 80	

DIMMERABILI - DMX-DALI

DIMMABLE - DMX-DALI

IP20	CODE	MAX LED	Vin	DIMENSIONS (mm)	CUT-OUT	CERTIFICATIONS
 	CV100-L-24-NL	94W - 1A (x4ch) max	220-240 Vac		 Ø 57	
		94W - 1A (x4ch) max	100-120 Vac			
 	CV120-Y-24-N	115W - 5A max (100 su 1ch)	220-240 Vac		 Ø 80	

POTENZIOMETRO
POTENTIOMETER

CODE
POT-M-REG-N

