

**LIGHT SOURCE**

LED quantity	1
Power max	4 W
Total lumen output (3000K)	155 lm
Efficacy lm/W (3000K)	39 lm/W
LOR (3000K)	36%
CRI	>80->90
LED Temperature (K)	2700K-3000K-3000KCRI>90-4000K-5000 K
Average operational life	50.000 hours

**OPTIC**

Material	Optical glass
Available optics	50°
Beam direction	+/- 25° Adjustability
Flux symmetry	Symmetrical
Accessories	-

**LED FIXTURE**

Material	Aluminum
Finish	Aluminum Hard Coat Anodizing (Black, Grey, Titanium, Champagne Gold)
Available finishes	Black, Grey, Titanium, Champagne Gold
IP Rate	IP40
Working Temperature	-20° ÷ +40°
Accessories	Stem (L upon request)

**ELECTRICAL FEATURES**

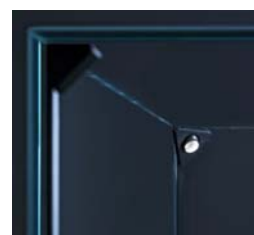
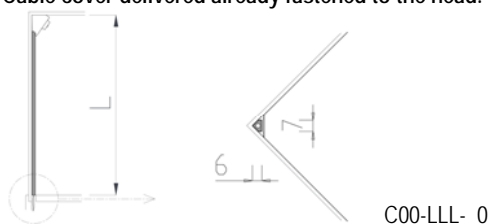
Driver	Remote
Dimmable	Push, 1-10V, DALI
For emergency lighting	-
Connection	In series at 300mA
Class	III

**MECHANICAL FEATURES**

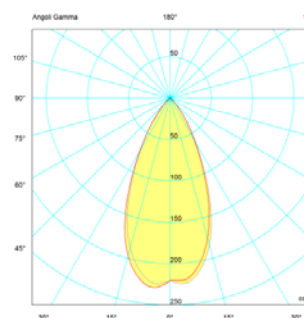
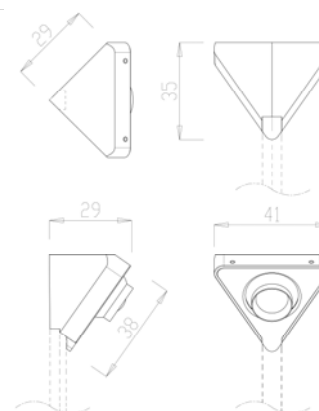
Dimensions (mm)	41 x 41 x 29
Weight	50 gr
Mounting	Corner
Cut-out (mm)	-
Use	Indoor

**NOTES**

The head comes with double-sided tape to be fixed on the upper corner of the glass display.  
 The stem works as a cover for the cable. L refers to the useful height of the room:  
**Cable cover delivered already fastened to the head. It cannot be ordered separately.**



typical installation in glass showcase



H(m)	D(m)	E <sub>max</sub> (lx)	E <sub>av</sub> (lx)
50°			
1.00	0.88	227	132
2.00	1.76	57	33
3.00	2.64	25	15
4.00	3.53	14	8
5.00	4.41	9	5