




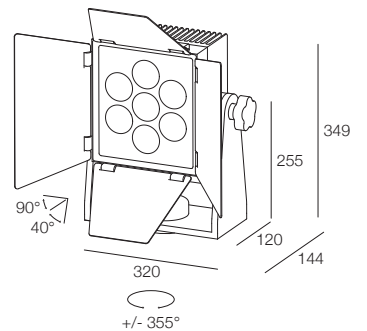
PEGASO 7 IP67

-  IP67
-  Class III
-  Montaggio a parete, soffitto, pavimento
Wall, ceiling, floor mounting
-  WIPS - Water Infiltration Protection System
-  Cavo in neoprene 200 cm
200 cm neoprene cable
(disponibile lunghezza cavo su misura)
(additional cable length available upon request)
-  10,5 Kg
-  Altamente riciclabile
Highly recyclable



PEGASO 7 IP67

	150W 4200mA	Finiture Finish	Colore LED LED Colour
Lumen Output 3000K	18000lm		
 10° Reflector	733732.4 _	■ 4 Nero - Black	■ Y 2700K ■ 6 3000K ■ 9 4000K
 20° Reflector	783732.4 _		
 40° Reflector	743732.4 _		

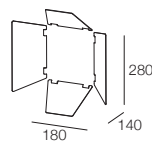


Visiere orientabili non incluse
Adjustable barn doors not included

ALIMENTATORE STAGNO IP67 (non incluso)
WATERTIGHT DRIVER IP67 (not included)

CC150-M-4200-P(X)

ACCESSORI
ACCESSORIES



Visiera orientabile
Adjustable barn doors
A00514.40



Connettore stagno
Watertight connector
A00388.40

EXAMPLE CODE COMPOSITION
123456.

LED COLOUR
FINISH