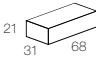







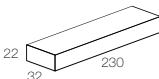

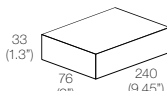
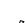

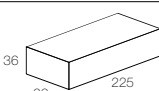

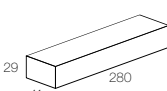

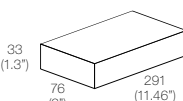






# Alimentatori 24Vdc IP20

## 24Vdc LED driver IP20

### ■ NON DIMMERABILI NOT DIMMABLE

IP20	CODE	MAX LED	Vin	DIMENSIONS (mm)	CUT-OUT	CERTIFICATIONS
CV6-F-24-NI		6W - 0,25A max	220-240 Vac		 Ø 36	
		3W - 0,12A max	100-120 Vac			
CV8-F-24-N		8W - 0,35A max	220-240 Vac		 Ø 42	  EAC
		8W - 0,35A max	100-120 Vac			
CV20-F-24-N		21W - 1,04A max	220-240 Vac		 Ø 60	EAC
		8,5W - 0,42A max	100-120 Vac			
CV35-F-24-NI		32W - 1,5A max	220-240 Vac		 Ø 39	
CV60-F-24-NE*		52W - 2,5A max	100-120 Vac		 Ø 84 (3.3\" data-bbox="640 405 680 425"/>	
CV70-F-24-N		63W - 2,9A max	220-240 Vac		 Ø 70	EAC
CV75-F-24-NI		70W - 3,125A max	220-240 Vac		 Ø 49	
		35W - 1,5A max	100-120 Vac			
CV100-F-24-NE*		83W - 4A max	100-120 Vac		 Ø 84 (3.3\" data-bbox="640 560 680 580"/>	
CV150-F-24-N		140W - 6,25A max	220-240 Vac		 Ø 80	EAC


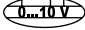

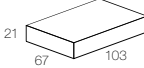





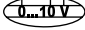

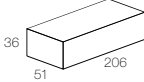

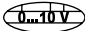
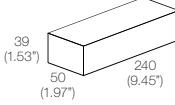
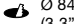



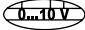
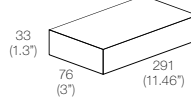
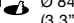



\*Non adatto al mercato UE, solo per utilizzo negli USA  
Not suitable for the UE market, only for USA installation

## Alimentatori 24 Vdc IP20

### 24 Vdc LED driver IP20




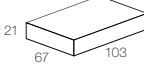
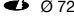


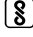

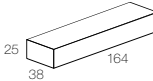


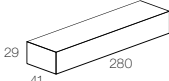


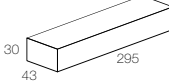
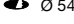





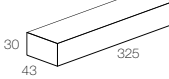

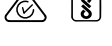



#### DIMMERABILI - MULTIFUNZIONE - PUSH - 1-10

##### DIMMABLE - MULTIFUNCTION - PUSH - 1-10

 IP20	CODE	MAX LED	V <sub>in</sub>	DIMENSIONS (mm)	CUT-OUT	CERTIFICATIONS
 	CV20-M-24-N	18W - 0,83A max	220-240 Vac	 21 67 103	 Ø 72	   
		13W - 0,62A max	100-120 Vac			
 	CV50-M-24-NQ	55W - 2,5A max	220-240 Vac	 36 51 206	 Ø 60	
		37W - 1,66A max	100-120 Vac			
	CV60-M-24-NE*	52W - 2,5A max	100-120 Vac	 39 (1.53") 50 (1.97") 240 (9.45")	 Ø 84 (3.3")	  
	CV100-M-24-NE*	83W - 4A max	100-120 Vac	 33 (1.3") 76 (3") 291 (11.46")	 Ø 84 (3.3")	  

#### DIMMERABILI - DALI

##### DIMMABLE - DALI

 IP20	CODE	MAX LED	V <sub>in</sub>	DIMENSIONS (mm)	CUT-OUT	CERTIFICATIONS
 	CV20-D-24-N	18W - 0,83A max	220-240 Vac	 21 67 103	 Ø 72	  
		13W - 0,62A max	100-120 Vac			
	CV25-D-24-NI	22W - 1A max	220-240 Vac	 25 38 164	 Ø 44	
	CV75-D-24-NI	67W - 3,125A max	220-240 Vac	 29 41 280	 Ø 49	
	CV100-D-24-NT	93W - 4,167A max	220-240 Vac	 30 43 295	 Ø 54	   
	CV150-D-24-NT	112W - 6,25A max	220-240 Vac	 30 43 325	 Ø 54	   

POTENZIOMETRO  
POTENTIOMETER

CODE  
POT-M-REG-N





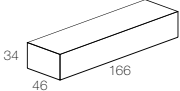






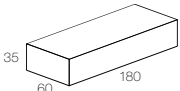

\*Non adatto al mercato UE, solo per utilizzo negli USA  
Not suitable for the UE market, only for USA installation

## Alimentatori 24 Vdc IP20

### 24 Vdc LED driver IP20



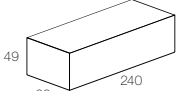


#### DIMMERABILI - TAGLIO DI FASE (IGBT - TRIAC)

##### DIMMABLE - PHASE CUT (IGBT - TRIAC)

IP20	CODE	MAX LED	Vin	DIMENSIONS (mm)	CUT-OUT	CERTIFICATIONS
 	CV20-C-24-N	18W - 0,9A max	220-240 Vac		 Ø 56	   EAC
  <small>DMX-TO-WARM</small>	CV45-C-24-N	37W - 1,87A max	220-240 Vac		 Ø 80	EAC


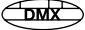
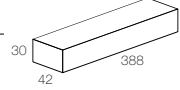




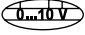




#### DIMMERABILI - CASAMBI INTEGRATO

##### DIMMABLE - CASAMBI INTEGRATED

IP20	CODE	MAX LED	Vin	DIMENSIONS (mm)	CUT-OUT	CERTIFICATIONS
 	CV120-B-24-N	110W - 5A max	220-240 Vac		 Ø 80	 EAC

#### DIMMERABILI - DMX-DALI

##### DIMMABLE - DMX-DALI

IP20	CODE	MAX LED	Vin	DIMENSIONS (mm)	CUT-OUT	CERTIFICATIONS
 	CV100-L-24-NL	94W - 1A (x4ch) max	220-240 Vac		 Ø 57	  
		94W - 1A (x4ch) max	100-120 Vac			
 	CV120-Y-24-N	115W - 5A max (100 su 1ch)	220-240 Vac		 Ø 80	 EAC

POTENZIOMETRO  
POTENTIOMETER

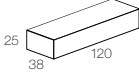

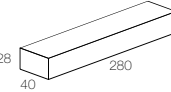

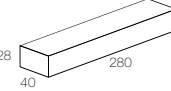

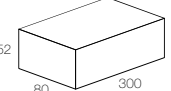



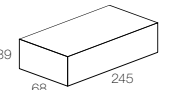


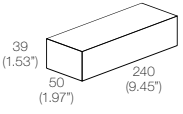


CODE  
POT-M-REG-N




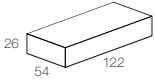


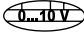
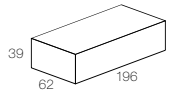


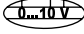
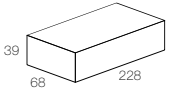


# Alimentatori 24Vdc IP67

## 24Vdc LED driver IP67

### ■ NON DIMMERABILI NOT DIMMABLE

IP67	CODE	MAX LED	V <sub>in</sub>	DIMENSIONS (mm)	CUT-OUT	CERTIFICATIONS
	CV30-F-24-PI	26W - 1,5A max	220-240 Vac		 Ø 44	
		13W - 0,6A max	100-120 Vac			
	CV75-F-24-PI	72W - 3,125A max	220-240 Vac		 Ø 48	
	CV150-F-24-PI	140W - 6,250A max	220-240 Vac		 Ø 48	
	CV70-F-24-P	63W - 2,90A max	220-240 Vac		 Ø 85	ERAC
	CV150-F-24-P	140W - 6,25A max	220-240 Vac		 Ø 85	ERAC
	CV240-F-24-PM	215W - 10A max	220-240 Vac		 Ø 79	
		215W - 10A max	100-120 Vac			
IP66	CV260-F-24-PW*	235W - 10,83A max	100-120 Vac		 Ø 64 (2.52")	

### ■ DIMMERABILI - MULTIFUNZIONE - PUSH - 1-10 DIMMABLE - MULTIFUNCTION - PUSH - 1-10

IP67	CODE	MAX LED	V <sub>in</sub>	DIMENSIONS (mm)	CUT-OUT	CERTIFICATIONS
	CV20-M-24-P	15W - 0,7A max	220-240 Vac		 Ø 60	
		13W - 0,6A max	100-120 Vac			
	CV80-R-24-PM	72W - 3,4A max	220-240 Vac		 Ø 74	
		72W - 3,4A max	100-120 Vac			
	CV185-R-24-PM	165W - 7,8A max	220-240 Vac		 Ø 79	
		165W - 7,8A max	100-120 Vac			

POTENZIOMETRO  
POTENTIOMETER


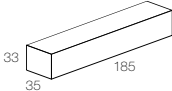


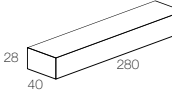

CODE  
POT-M-REG-N



\*Non adatto al mercato UE, solo per utilizzo negli USA  
Not suitable for the UE market, only for USA installation



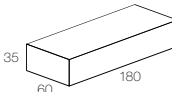


## DIMMERABILI - DALI

### DIMMABLE - DALI

IP67	CODE	MAX LED	Vin	DIMENSIONS (mm)	CUT-OUT	CERTIFICATIONS
	CV25-D-24-PI	23W - 1A max	220-240 Vac		 Ø 48	
	CV75-D-24-PI	70W - 3,125A max	220-240 Vac		 Ø 48	

## DIMMERABILI - TAGLIO DI FASE (IGBT - TRIAC)

### DIMMABLE - PHASE CUT (IGBT - TRIAC)

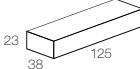

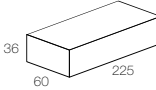


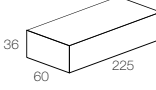


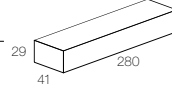




IP66	CODE	MAX LED	Vin	DIMENSIONS (mm)	CUT-OUT	CERTIFICATIONS
  <small>DR-TO-WARM</small>	CV80-C-24-P	66W - 3,33A max	220-240 Vac		 Ø 85	

# Alimentatori 48Vdc IP20

## 48Vdc LED drivers IP20

## NON DIMMERABILI

### NOT DIMMABLE

IP20	CODE	MAX LED	Vin	DIMENSIONS (mm)	CUT-OUT	CERTIFICATIONS
	CV30-F-48-NI	27W - 0,6A max	220-240 Vac		 Ø 42	
	CV50-F-48-N	45W - 1A max	220-240 Vac		 Ø 70	
	CV70-F-48-N	64W - 1,45A max	220-240 Vac		 Ø 70	
	CV75-F-48-NI	70W - 1,55A max	220-240 Vac		 Ø 49	
		35W - 0,75A max	100-120 Vac			
	CV150-F-48-N	140W - 3A max	220-240 Vac		 Ø 80	

POTENZIOMETRO  
POTENTIOMETER

CODE  
POT-M-REG-N

