

## LIGHT SOURCE

LED quantity	1
Power max	4 W
Total lumen output (3000K)	4W: 60° - 361 lm
Efficacy lm/W (3000K)	4W: 60° - 90 lm/W
CRI	>80 – >90
LED Temperature	2700K – 3000K – 3000K CRI>90 – 4000K – 5000K
Average operational life	50.000 hours

## OPTIC

Material	Optical Glass
Available optics	60°
Beam direction	Adjustable +/-170°, rotating +/-355°
Flux symmetry	Symmetrical

## FIXTURE

Material	Aluminum
Available finishes	Hard coat anodized: 3 - Gray 4 - Black Z - Champagne Gold Powder coated: 7 - White
IP Rate	IP40
Working Temperature	-20° ÷ +40°
Integrated fixing Systems	Ring nut

## ELECTRICAL FEATURES

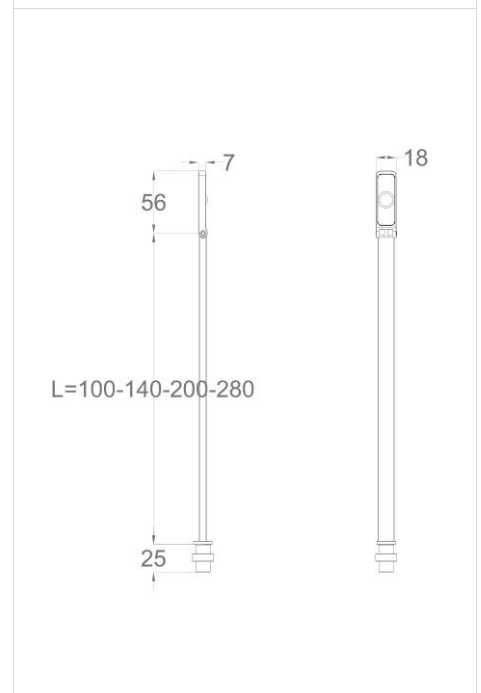
Driver	Remote
Dimmable	Push, 1-10V, DALI
Connection	In series at 350mA
Class	III

## MECHANICAL FEATURES

Dimensions	60 x 18 x L mm
Weight (L=100 mm-L=140 mm-L=200 mm-L=280 mm)	65 gr - 75gr - 90 gr - 110 gr
Installation	Wall, ceiling, floor mounting
Cut-out	Ø13,5 mm
Use	Indoor

## ACCESSORIES

Visors	Visor included in <i>Opera with snoot</i> version
Filters	-
Box/ Frame	-
Fixing system	-



**PHOTOMETRIC DATA**

<p>60° Lens – 4W</p>						
<p>H(m)    D(m)    Emax(lx)    Eav(lx)</p> <p><b>60°</b></p> <p><u>1.00</u>    1.43      278      131</p> <p><u>2.00</u>    2.85      70       33</p> <p><u>3.00</u>    4.28      31       15</p> <p><u>4.00</u>    5.71      17       8</p> <p><u>5.00</u>    7.13      11       5</p>						

**NOTES**

---



---