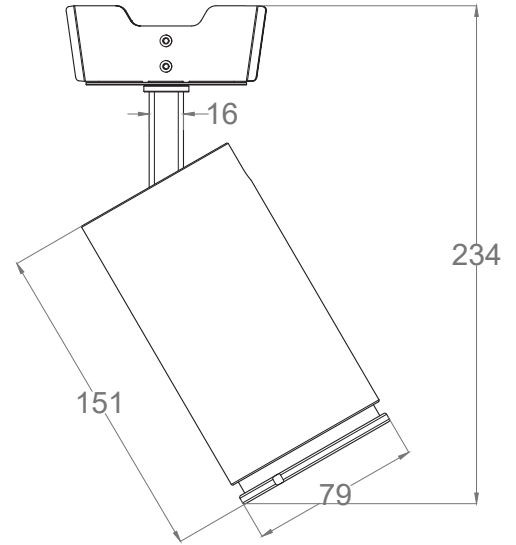
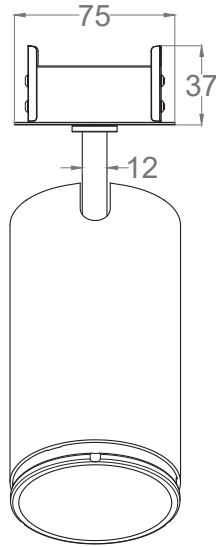


Aurora Zoom 3000 mP

Track and surface zoom projectors | IP40 | Class III | Dimmable



LIGHT SOURCE & OPTIC

Power

25W

Lens

Zoom 8°>45°

Beam Direction

Adjustable:
Tilting +/-90°, rotating +/-355°,
Symmetrical

Material

Glass

LED quantity

1

Binning

2 MacAdam steps

Color temperature & quality

2700K CRI>80
3000K CRI>80/90
4000K CRI>80

Lifetime

(L90) >60.000 hrs

FIXTURE

Dimensions

Ø 80mm x H 176 mm (cylinder)

Material

Aluminium

Body finishes

Black (RAL 9005)
White (RAL 9003)
All White (RAL 9003)

Weight

1020gr

Mounting

Semi-recissed: cut-out Ø66mm

Fixing

Springs

Working temperature

-20° / +40°

ELECTRICAL FEATURES

Power supply

Constant current: 700 mA
Typical Vf= 36V

Driver requirement

Remote (not included)

Control

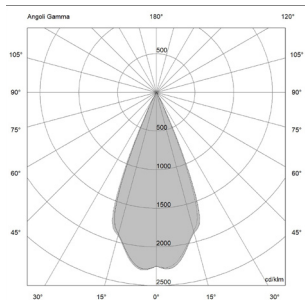
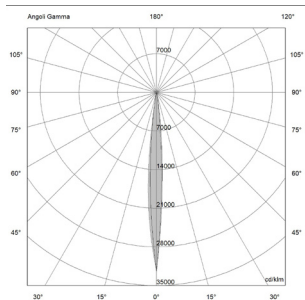
On/off
Push switch
Phase Cut
0/1-10 V
Casambi
DALI

Aurora Zoom 3000 mP

PHOTOMETRIC DATA (3000K CRI>80)

25W - 8° | UGR 3

25W - 45° | UGR 8



H (m)	D (m)	Eav (lx)
1	0.15	20429
2	0.29	5107
3	0.44	2270
4	0.59	1277
5	0.74	817

H (m)	D (m)	Eav (lx)
1	0.80	1880
2	1.59	470
3	2.39	209
4	3.19	117
5	3.99	75

Total lumen output
1015 lm

Total lumen output
1355 lm

Efficacy
41 lm/W

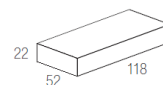
Efficacy
54 lm/W

Aurora Zoom 3000 mP

SUGGESTED REMOTE DRIVER

On/off:

CC50-F-700-N



Multifunction (DALI 2, 0/1-10V, PUSH):

CC70-DM-700-N

